

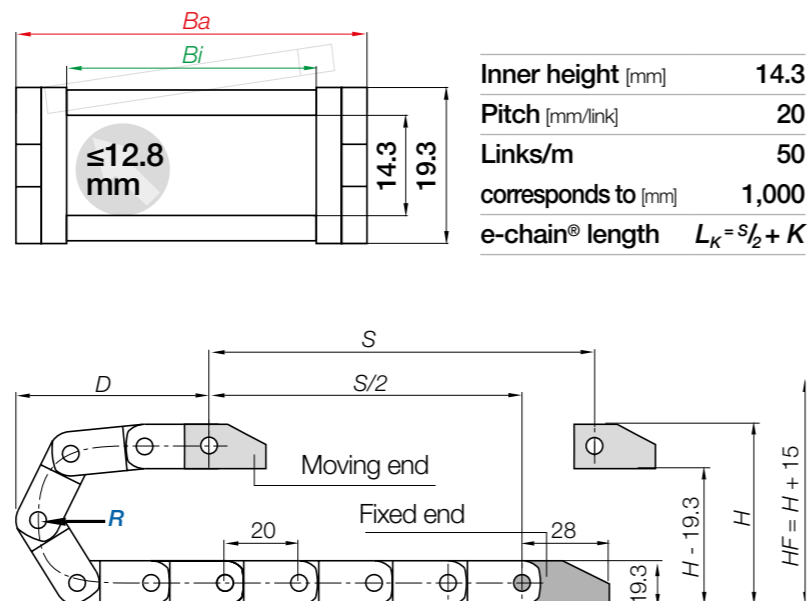
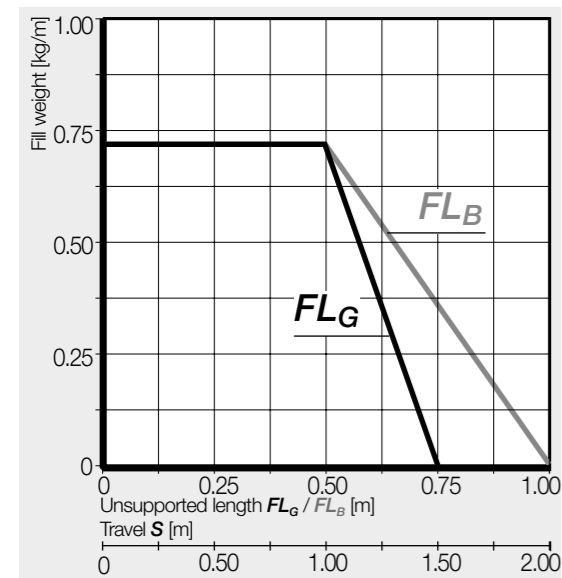


e-chains® | Series B09 | Openable along the outer radius, from one side

Part No.	Bi	Ba	R Available bend radii	Weight
e-chains®	[mm]	[mm]	[mm]	[kg/m]
B09.16.R.0	16	24.2	028 038 048	≈ 0.24
B09.20.R.0	20	28.2	028 038 048	≈ 0.25
B09.30.R.0	30	38.2	028 038 048	≈ 0.28
B09.40.R.0	40	48.2	028 038 048	≈ 0.31

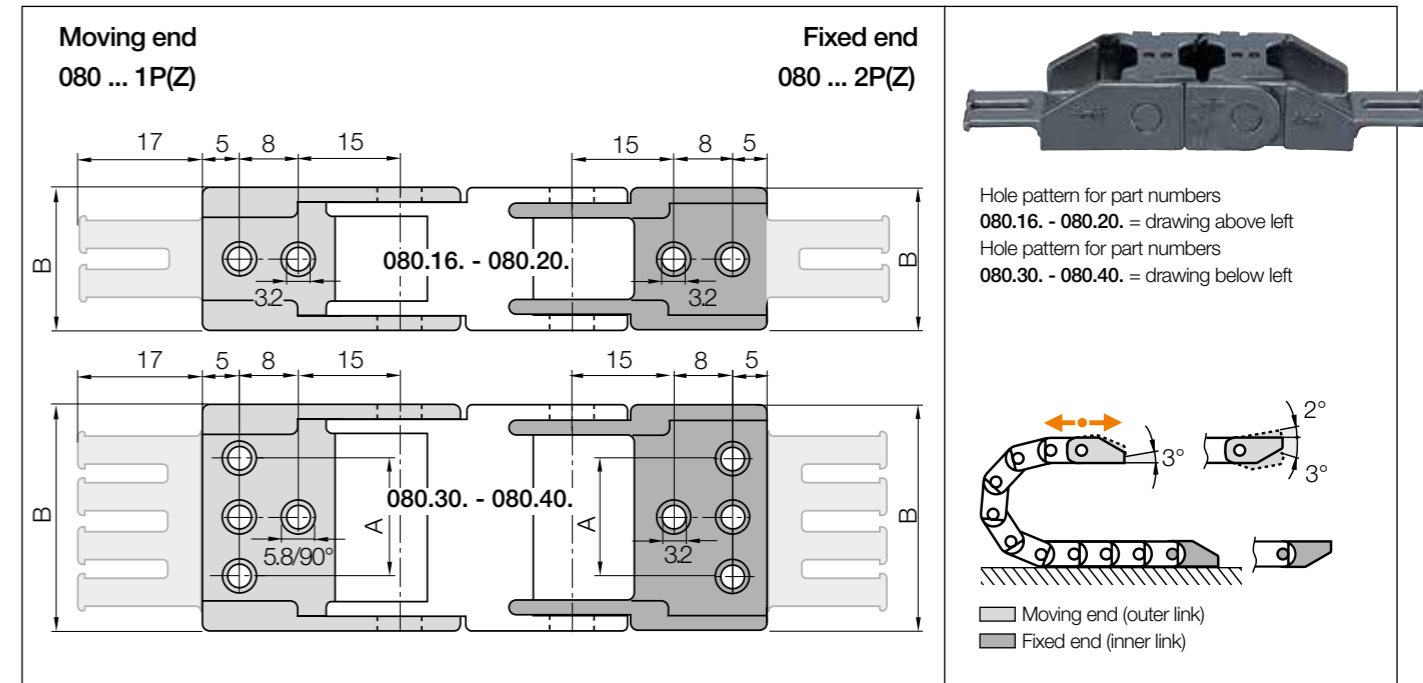
Complete Part No. with required radius (R). Example: B09.40.038.0

Installation dimensions



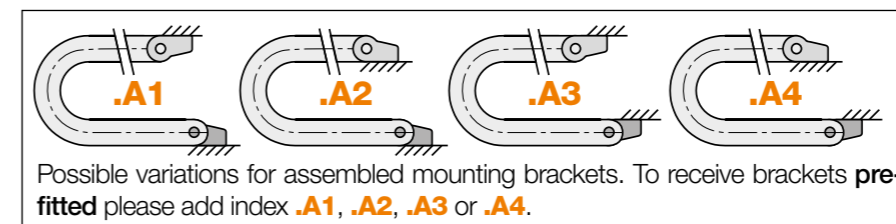
R	028	038	048
H	75	95	115
D	68	78	88
K	130	160	195

The required clearance height: $H_F = H + 15\text{mm}$ (with 0.3kg/m fill weight)



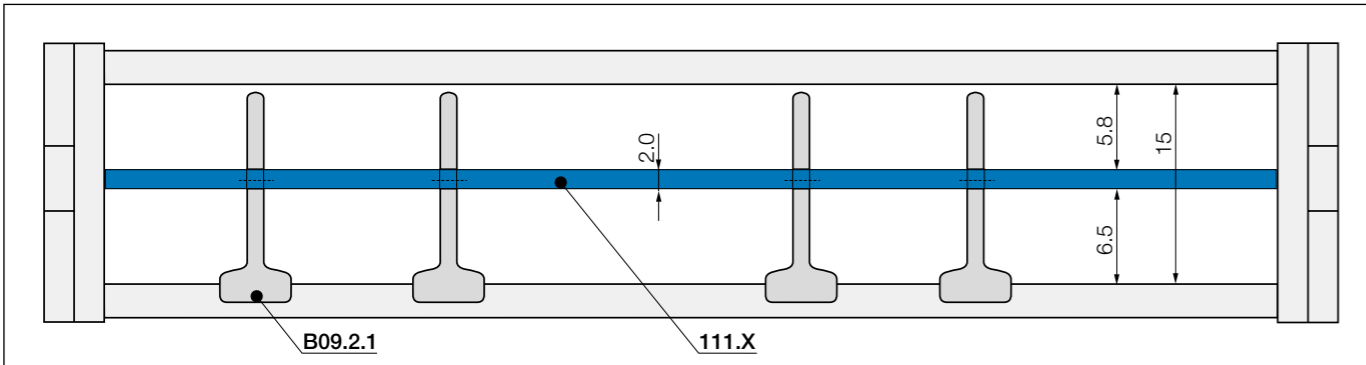
Width index	Part No. full set with tiewrap plates	Part No. full set without tiewrap plates	A [mm]	B [mm]	Number of teeth
16. ▶	080.16.12PZ	080.16.12	-	24.2	2
20. ▶	080.20.12PZ	080.20.12	-	28.2	2
30. ▶	080.30.12PZ	080.30.12	22	38.2	3
40. ▶	080.40.12PZ	080.40.12	32	48.2	4

Material mounting bracket - igumid G, temperature: -40° up to +120°C, VDE 0304 IIC UL94-HB



080.40.12PZ.A1 Order example
 .A... to indicate option with brackets pre-fitted
 With integrated strain relief tiewrap plates
 Full set
 Series

Interior separation



No lateral gap to side links necessary.
As standard separators are fitted every 2nd e-chain® link!

		Slotted separator unassembled B09.2 assembled B09.2.1
		Full-width shelf for e-chains® unassembled 110.X assembled 111.X

Slotted separator
Vertical separation. The slot allows basic vertical/horizontal shelving arrangements.

Full-width shelf
This option is for applications with many small cables with similar diameters. For full-width separation.

Full-width shelves Width = X [mm]	X [mm]	unassembled	assembled	X [mm]	unassembled	assembled	X [mm]	unassembled	assembled
		010	110.10	111.10	020	110.20	111.20	050	110.50
	013	110.13	111.13	030	110.30	111.30			
	016	110.16	111.16	040	110.40	111.40			



E2 micro e-chain® space-saving, zig-zag design in a mobile OP table