

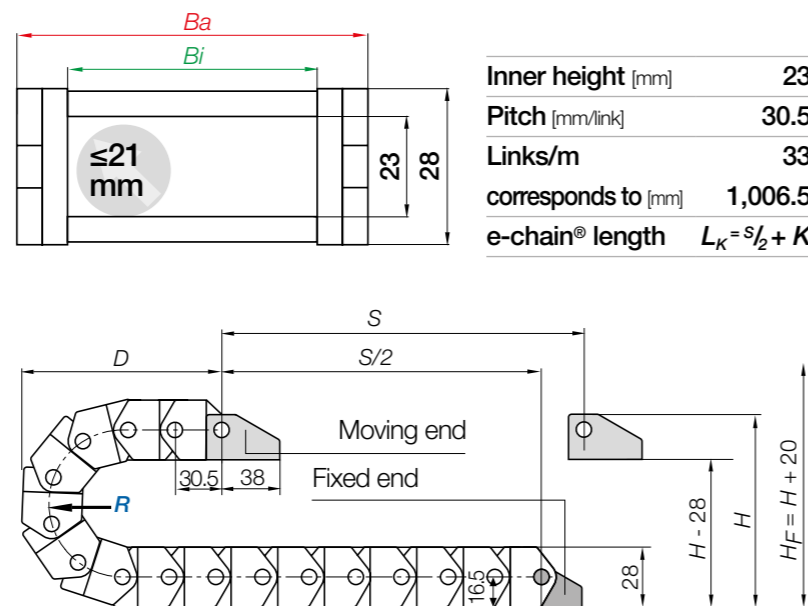
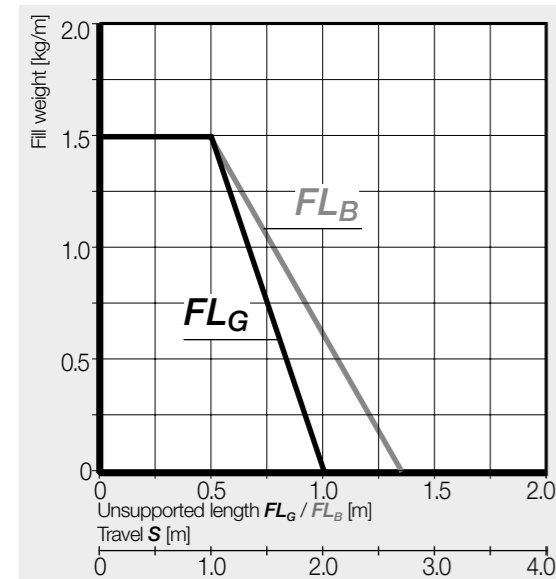


e-chains® | Series 11.031 | One-piece, non-openable

Part No.	Bi	Ba	R Available bend radii	Weight
e-chains®	[mm]	[mm]	[mm]	[kg/m]
11.031.R.0	31	41.2	045 070	≈ 0.43

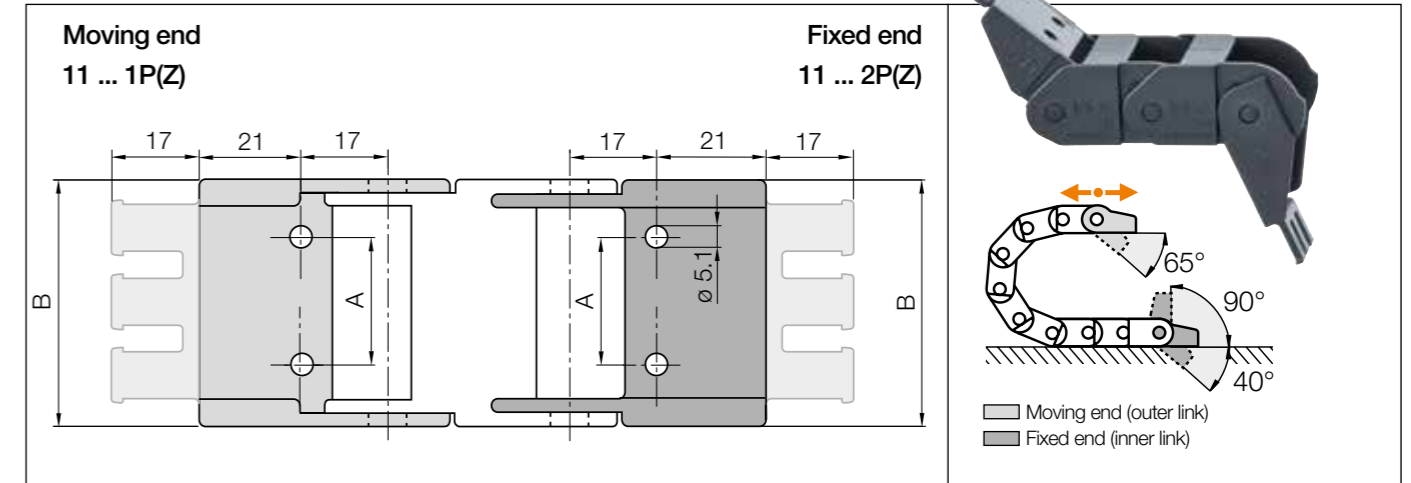
Complete Part No. with required radius (R). Example: 11.031.045.0

Installation dimensions

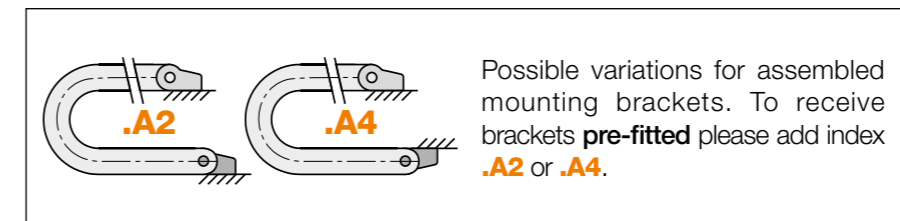


R	045	070
H	123	173
D	107	132
K	205	285

The required clearance height: $H_F = H + 20\text{mm}$ (with 0.5kg/m fill weight)



Width index	Part No. full set with tie-wrap plates	Part No. full set without tie-wrap plates	A [mm]	B [mm]	Number of teeth
031. ►	11.031.12PZ	11.031.12P	16	42	3



Possible variations for assembled mounting brackets. To receive brackets pre-fitted please add index .A2 or .A4.

11.031.12PZ.A2 Order example
 .A... to indicate option with brackets pre-fitted
 With integrated strain relief tie-wrap plates
 Full set
 Series