



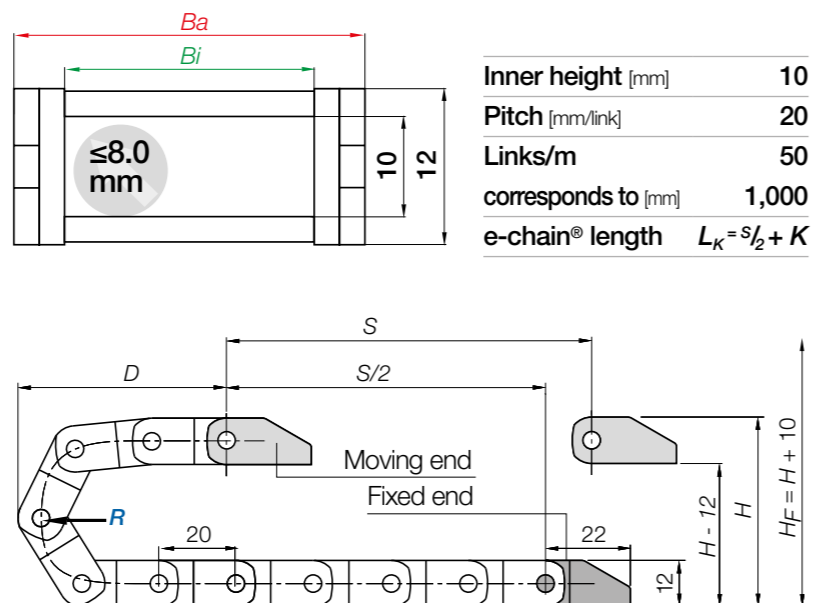
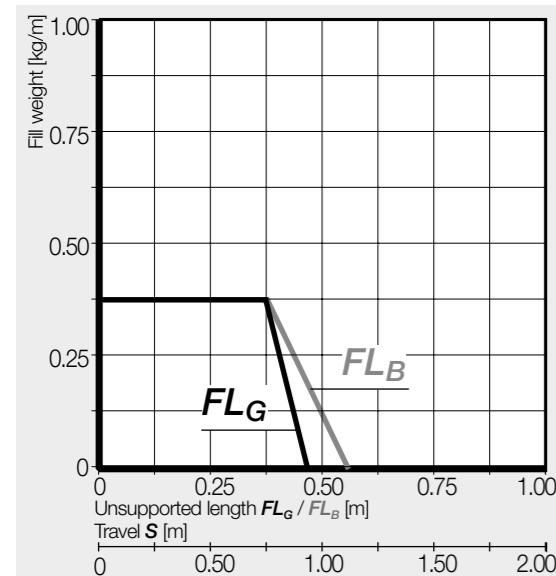
e-chains® | Series 05 | One-piece, non-openable

Part No.	Bi	Ba	R Available bend radii	Weight
e-chains®	[mm]	[mm]	[mm]	[kg/m]
05.06.R.0	6	10	018   028   038	≈ 0.06
05.10.R.0	10	14	018   028   038	≈ 0.07
05.16.R.0®	16	20	018   028   038	≈ 0.07
05.20.R.0	20	24	018   028   038	≈ 0.08
05.30.R.0	30	34	018   028   038	≈ 0.09
05.64.R.0	64	68	018   028   038	≈ 0.19

® RBR version (Reverse Bend Radius), some radii available from stock. More information ▶ From page 130

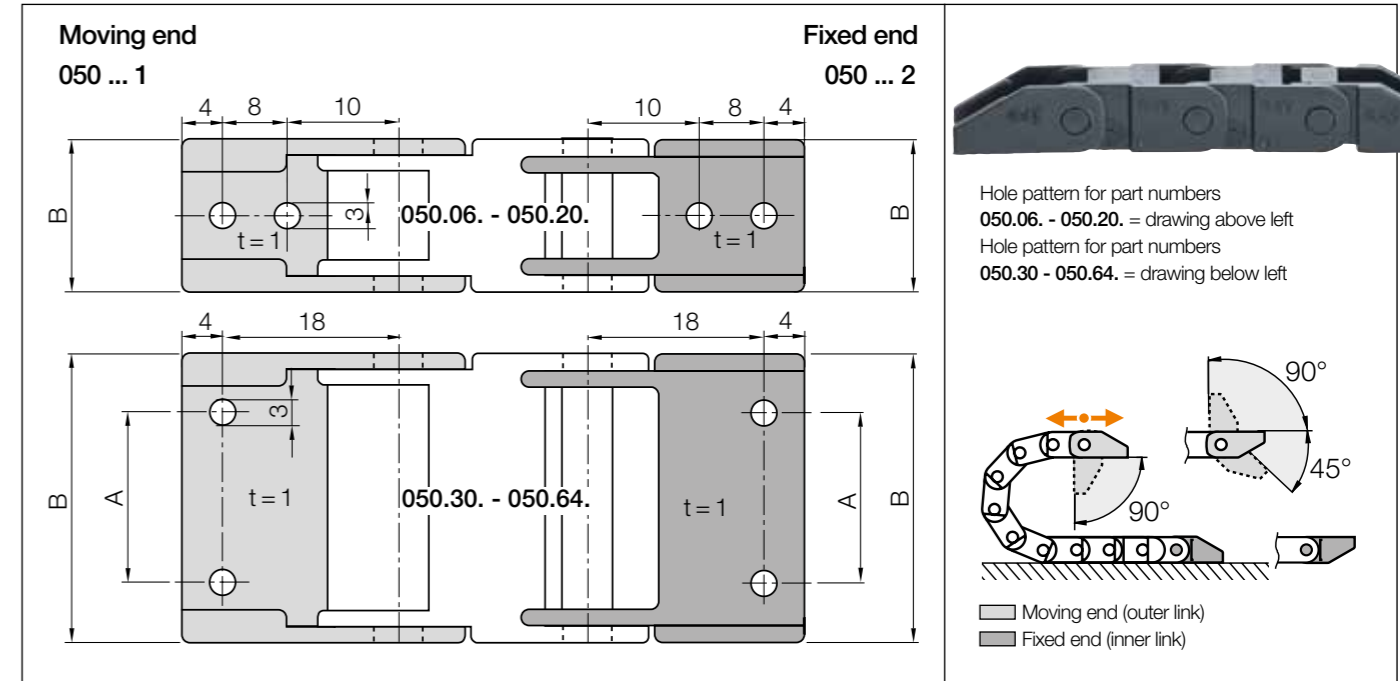
Complete Part No. with required radius (R). Example: 05.10.028.0

Installation dimensions



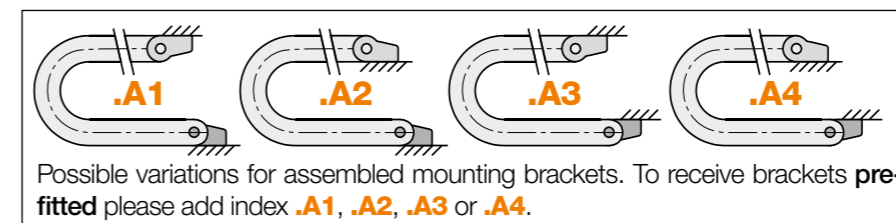
R	018	028	038
H	48	68	88
D	54	64	74
K	100	130	160

The required clearance height:  $H_F = H + 10\text{mm}$  (with 0.2kg/m fill weight)



Width index	Part No. full set without tie-wrap plates	A [mm]	B [mm]	Number of teeth
06. ▶	050.06.12	-	10.7	-
10. ▶	050.10.12	-	14.7	-
16. ▶	050.16.12	-	20.7	-
20. ▶	050.20.12	-	24.7	-
30. ▶	050.30.12	22	34.7	-
64. ▶	050.64.12	56	68.7	-

Material mounting bracket - igumid G, temperature: -40° up to +120°C, VDE 0304 IIC UL94-HB



050.10.12.A2 Order example  
 .A... to indicate option with brackets pre-fitted  
 Full set  
 Series

Rotating energy supply systems with Reverse Bend Radius (RBR) - some radii available from stock

- Maximum rotation angle in minimal installation space
- Minimal friction forces and maximum service life
- Short delivery times from stock

More information and the complete product range ▶ From page 130

