



HENNLICH

MERES

OMEZOVAČ PRŮTOKU BA / BB / BC

Flow Limiting

BA, BB,

BC



OVERVIEW

Operation

- Mechanical flow limiter

Application

- Water treatment
- Irrigation
- Sanitary installations

Features

- Universal orientation
- High reliability
- No power supply required
- Suitable for hot water
- Threaded connection

Installation information

- The operating instructions for BA, BB, BC must be observed!

OPERATING DATA

Control pressure	2 - 10 bar
Operating pressure, max.	10 bar
Temperature, max.	200 °C
Measuring accuracy	up to 2 l/min ± 15 %
	of nominal value
	at 3 l/min and higher ± 10 %
	of nominal value

FLOW

Type	Flow for H ₂ O at 20 °C	
	Q _{min} l/min	Q _{max} l/min
BA [1/2"]	1	30
BA [3/4"]	1	30
BB [1/2"]	1	30
BB [3/4"]	1	30
BC [3/4"]	1	30
BC [1 1/2"]	3	90
BC [2"]	5	150
BC [2 1/2"]	7	210
BC [3"]	9	270

MATERIALS

Brass version, wetted parts

Device body:	Brass
Regulating star:	1.4310
Cone:	1.4301
Rivet:	1.4301
Spacer ring:	1.4310
Retaining ring:	1.4122

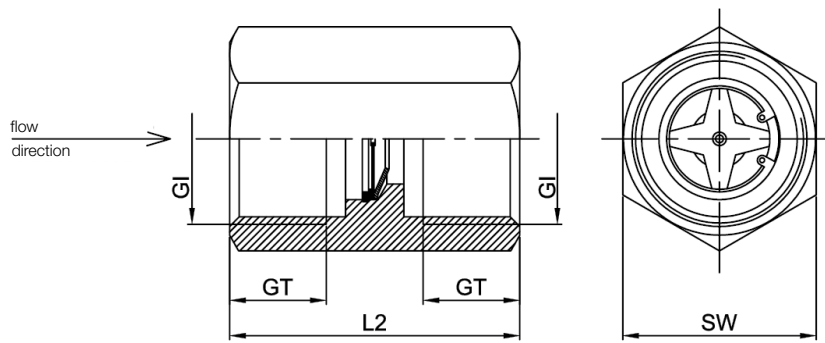
Stainless steel version, wetted parts

Device body:	1.4305 ⁽¹⁾
Regulating star:	1.4310
Cone:	1.4301
Rivet:	1.4301
Spacer ring:	1.4310
Retaining ring:	1.4122

⁽¹⁾ BC 1.4571

TECHNICAL DRAWING

BA



SUMMARY OF TYPES

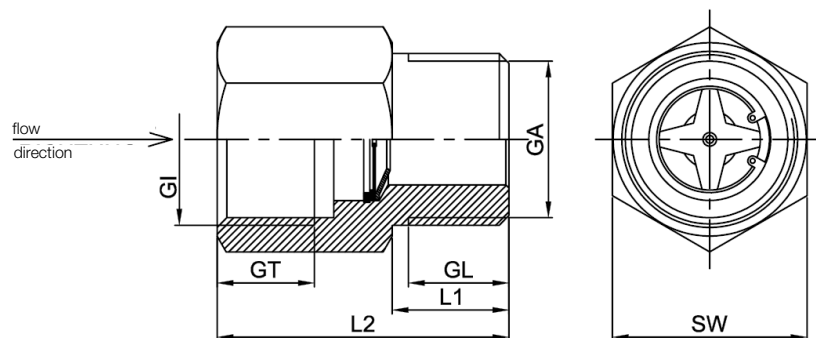
BA

Type	Overall dimensions [mm]				Weight approx. [g]
	GI	GT	SW	L2	
BA [1/2"]	1/2"	15	27	43	72
BA [3/4"]	3/4"	16,5	32	45	125

Flow: 1 – 30 l/min in 1 l/min increments

TECHNICAL DRAWING

BB



SUMMARY OF TYPES

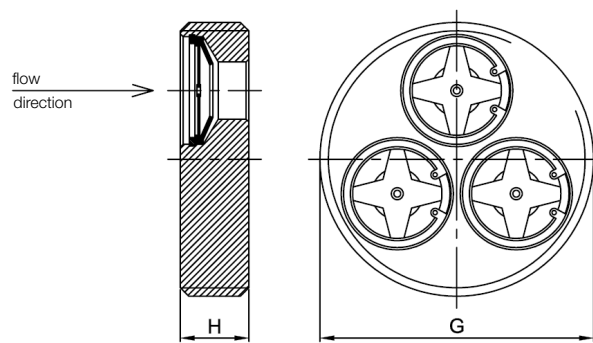
BB

Type	Overall dimensions [mm]							Weight approx. [g]
	GI	GA	GT	GL	SW	L1	L2	
BB [1/2"]	1/2"	1/2"	15	14	27	16	43	104
BB [3/4"]	3/4"	3/4"	16,5	16	32	18	45	135

Flow: 1 – 30 l/min in 1 l/min increments

TECHNICAL DRAWING

BC



SUMMARY OF TYPES

BC

Type	Overall dimensions [mm]				Weight approx. [g]
	G	H	Q _{min} ⁽²⁾	Q _{max} ⁽²⁾	
BC [3/4"]	3/4"	12	1	30	25
BC [1 1/2"]	1 1/2"	12	3	90	104
BC [2"]	2"	15	5	150	190
BC [2 1/2"]	2 1/2"	15	7	210	290
BC [3"]	3"	15	9	270	375

⁽²⁾ from Q_{min} to Q_{max} in 1 l/min increments