

**Submersible motor pumps
for domestic drainage water containing solids.
Free passage 30 and 42 mm.**

TP30

Application

Submersible motor pumps in the TP30 series are used for conveying domestic drainage- and waste water as well as sludge. With their large free passage of 30 or 42 mm, they are particularly well suited for use with media containing coarse solids and fibers. Ideal for economical disposal in municipal, private, trade and industry applications.

DIN EN 12050-2: Design tested and monitored.

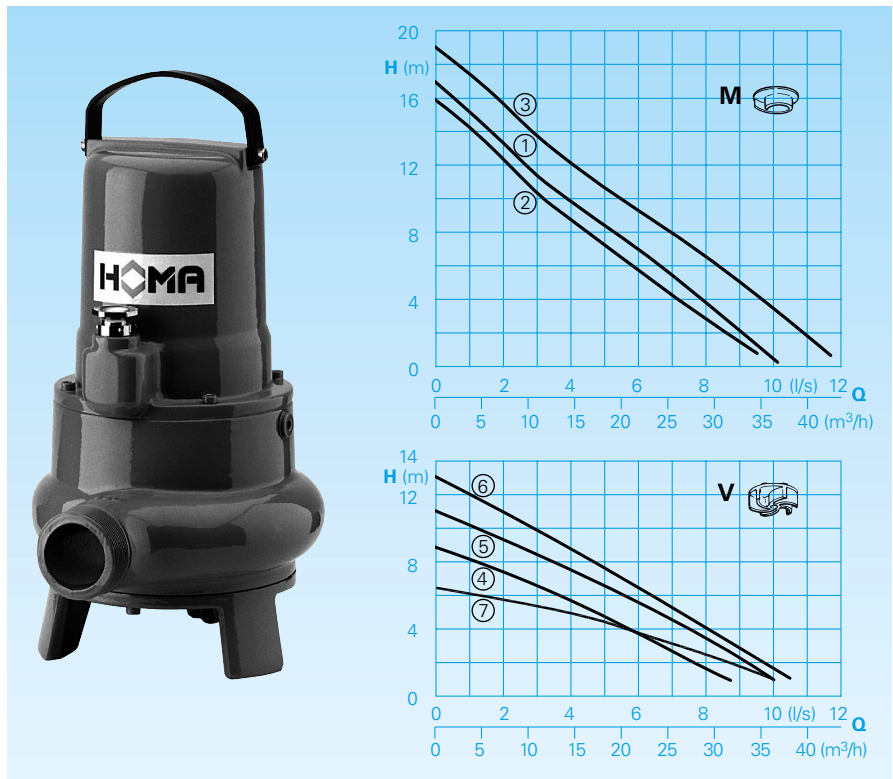
Installation: Stationary or mobile. Version with float switch for use as automatic water level controlled drainage pump.

Pumped medium: Clean water and waste water with solid and fibrous content.

Max. temperature of pumped medium: 40°C, for non-ex pumps brief periods up to 60°C.

Operating mode: Continuous operation (S1).

Conveying capacities



Design

Fully submersible pump, consisting of:

Pump: Single-stage with horizontal discharge G2.

Impellers: M= open single-channel impeller for sludgy media with solids or fibrous content.

V = Vortex impeller for media containing gas or air, with coarse or long stringy components that are prone to clogging.

Motor: Fully submersible motor, sealed against pressurized water, Insulation class H. Protection rating IP 68. Thermal sensor for temperature monitoring in the winding.

Connecting cable:

Model W: H07RN8-F 4G1,5

Model D and Ex: H07RN8-F 6G1,5

Shaft/bearing: strongly dimensioned chrome steel shaft, lifetime-lubricated roller bearings

Seal: Combination of mechanical seal (silicon carbide/silicon carbide) and radial seal inside the oil chamber that is independent of the direction of rotation.

Explosion protection: All pump models are also available in EX version according to II 2 G Ex c d II BT4(T3).

Technical data

Curve No.	Pump type	Motor input		Capacitor* (µF)	Rotational speed (rpm)	Nominal current (A)	Free passage (mm)	Weight (kg)	
		P ₁ (kW)	P ₂ (kW)					Standard model	Ex model
①	TP30M 17/2 W(A)(Ex)	1,6	1,2	30	2900	7,5	30	27,0	32,0
②	TP30M 13/2 D(A)(Ex)	1,2	0,9		2900	2,1	30	26,0	31,0
③	TP30M 17/2 D(A)(Ex)	1,6	1,2		2900	2,9	30	27,0	32,0
④	TP30V 17/2 W(A)(Ex)	1,6	1,2	30	2900	7,5	30	27,0	32,0
⑤	TP30V 13/2 D(A)(Ex)	1,2	0,9		2900	2,1	30	26,0	31,0
⑥	TP30V 17/2 D(A)(Ex)	1,6	1,2		2900	2,9	30	27,0	32,0
⑦	TP30V 10/4 D(A)	1,0	0,7		1450	2,3	42	27,0	32,0

Model W: 230V/1Ph 50Hz

Model D: 400V/3Ph 50Hz

Model A: with automatic float switch
HOMA-Nivomatik

* **Capacitor:** for the operation it is necessary to install a capacitor in the switchgear.

Model Ex: explosion-proof

Materials

Pump housing, impeller, motor housing	Cast iron EN-GJL-250
Motor shaft, screws	Stainless steel
Mechanical seals	Silicon carbide
Elastomers	NBR

Scope of supply

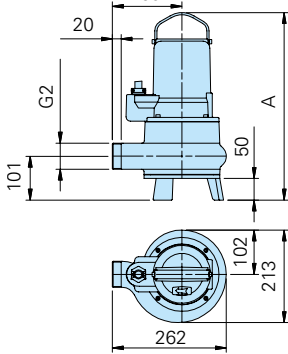
All pumps with base stand, without auto coupling (see accessories). With 10 m of loose cable end. (switchgear see accessories)

Model A: Additionally with automatic float switch, switchgear WA10/19; DA10/32; DA10/12 with AS-float switch, with 10 m of cable, Manual/Auto-switch. Ex-Model with intrinsically safe control circuit relay.

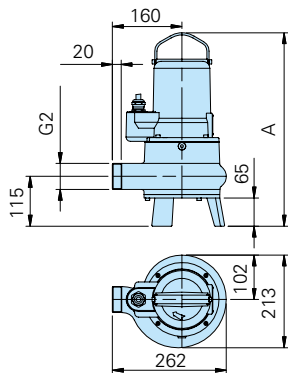
Dimensions and installation example (all dimensions in mm)

Floorstanding installation with base stand

Pump type	Dim. A	D	E
TP30M(V.../2W(D)	431	50	59
TP30M(V.../2W(D)Ex	438	50	59



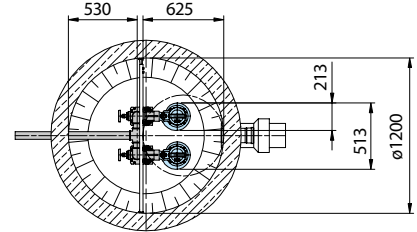
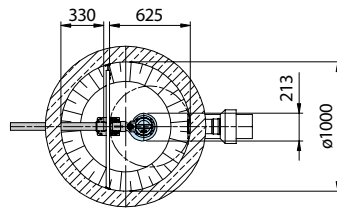
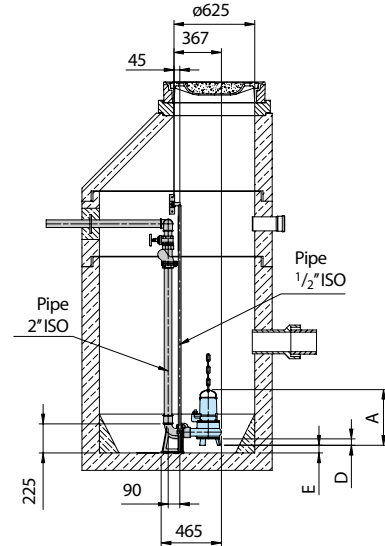
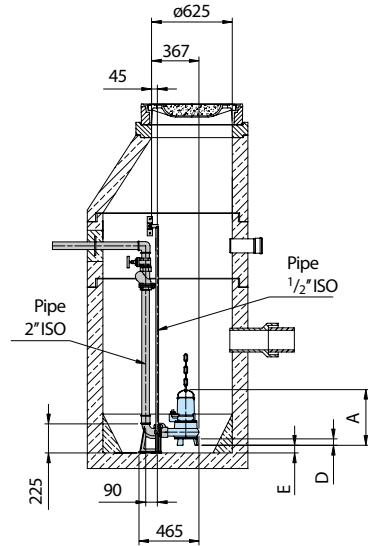
Pump type	Dim. A	D	E
TP30V10/4W(D)	445	65	46



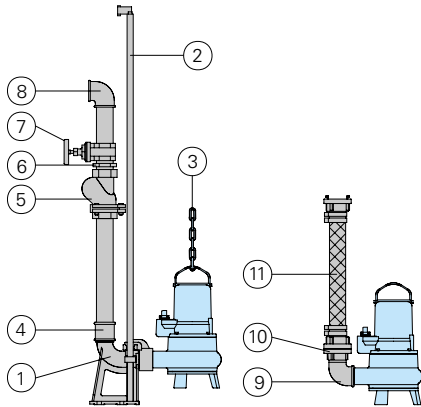
Shaft installation with automatic coupling system.

Single unit

Twin unit



Accessories



Description	Size	Part no.
① Automatic coupling system with mating flange, base elbow		
- Slide rail bracket KK50/BSP2"		8604005
- Slide rail bracket VA KKR50-1/BSP2"		8604019
○ Coupling system completely or partly in stainless steel	all	on request

Description	Size	Part no.
○ Screw-Kits for fastening coupling systems		on request
○ Intermediate bracket for slide rail bracket extension	Ø 1" für KKR50-1 Ø 1/2" für KK50	7323714 7320271
② Guide rails for coupling kits (steel galvanized and stainless steel A2/A4)		on request
③ Pump chain sets, tested. With shackle, single or dual row, different lengths and load bearing capacities		on request
④ Double socket, galvanized	BSP 2"F BSP 2"F/ BSP 1 1/2"F	2109102 2102210
⑤ Non-return ball valve cast iron	BSP 1 1/2"F BSP 2"F	2212902 2212903
⑥ Double nipple, galvanized	BSP 1 1/2"M BSP 2"M	2009020 2009018
⑦ Shut-off gate valve MS	BSP 1 1/2"F BSP 2"F	2216015 2216020

Description	Size	Part no.
⑧ 90° Bend, galvanized	BSP 1 1/2"F BSP 2"F	2113605 2113606
T-piece for merging the pressure pipe in double pump stations	BSP 1 1/2"F BSP 2"F	2114302 2114306
⑨ 90° Bend, galvanized	BSP 2"F/M BSP 1 1/2"F/M	2111506 2111505
Double socket, galvanized	BSP2"F/BSP1 1/2"F	2102210
⑩ STORZ-fixed coupling	C-G2"F	2010204
STORZ-hose-coupling	C-52 mm Ø	2013003
STA-threaded-hose fitting, brass	BSP 1 1/2"F	2001513
⑪ Synthetic pressure hose with rubber lining, with couplings	10 m long 15 m long 20 m long 30 m long	2611310 2611315 2611320 2611330
Plastic spiral hose, per m	Ø 50 mm	2632050
PVC-hose, per m	1 1/2" Ø 38 mm	2621500
Hose clamp	1 1/2" 2"	2304854 2306009

○ For pump controllers and switchgears for mobile and stationary applications, measuring systems and monitoring devices, see HOMA accessories



We reserve the right to alter our specifications without notice!