



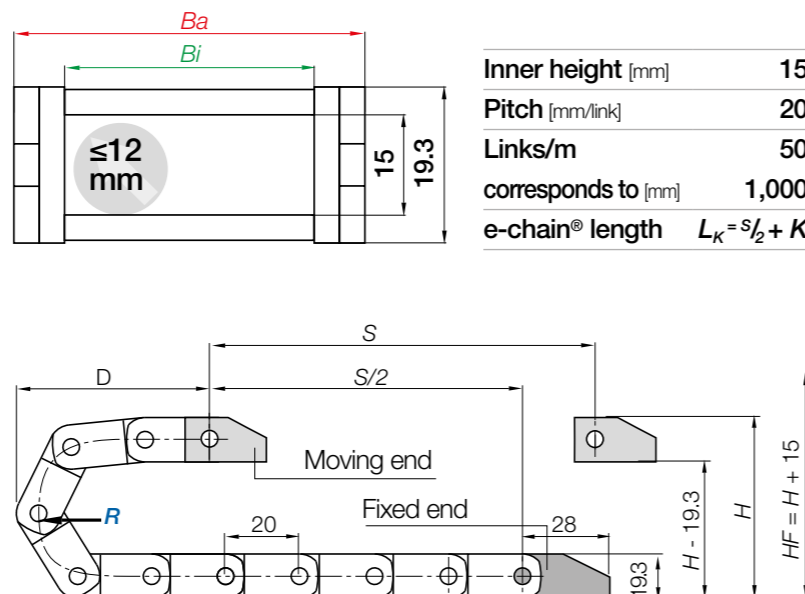
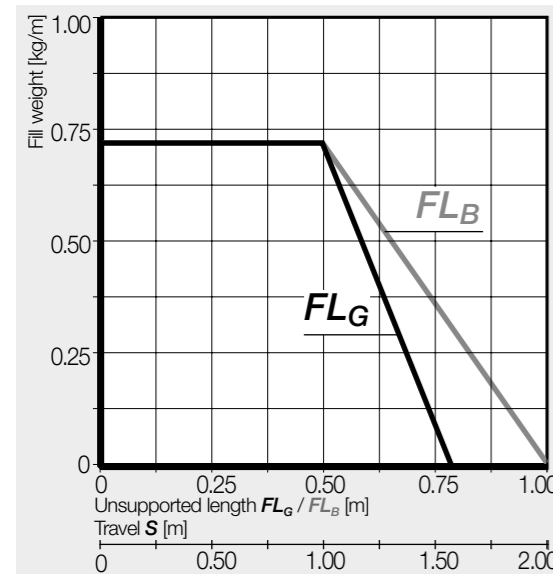
e-chains® | Series 08 | One-piece, non-openable

Part No.	Bi				Ba				R Available bend radii	Weight
	[mm]	[mm]	[mm]	[mm]	[mm]	[mm]	[mm]	[mm]		
e-chains®										
08.10.R.0	10	18.2	025	028	038	048				≈ 0.21
08.13.R.0	13	21.2	-	028	038	-				≈ 0.23
08.16.R.0	16	24.2	-	028	038	048				≈ 0.24
08.20.R.0	20	28.2	025	028	038	048				≈ 0.25
08.30.R.0	30	38.2	-	028	038	048				≈ 0.28
08.40.R.0	40	48.2	-	028	038	048				≈ 0.31
08.50.R.0	50	58.2	-	028	038	048				≈ 0.37

© RBR version (Reverse Bend Radius), some radii available from stock. More information ▶ From page 130

Complete Part No. with required radius (R). Example: 08.50.038.0

Installation dimensions

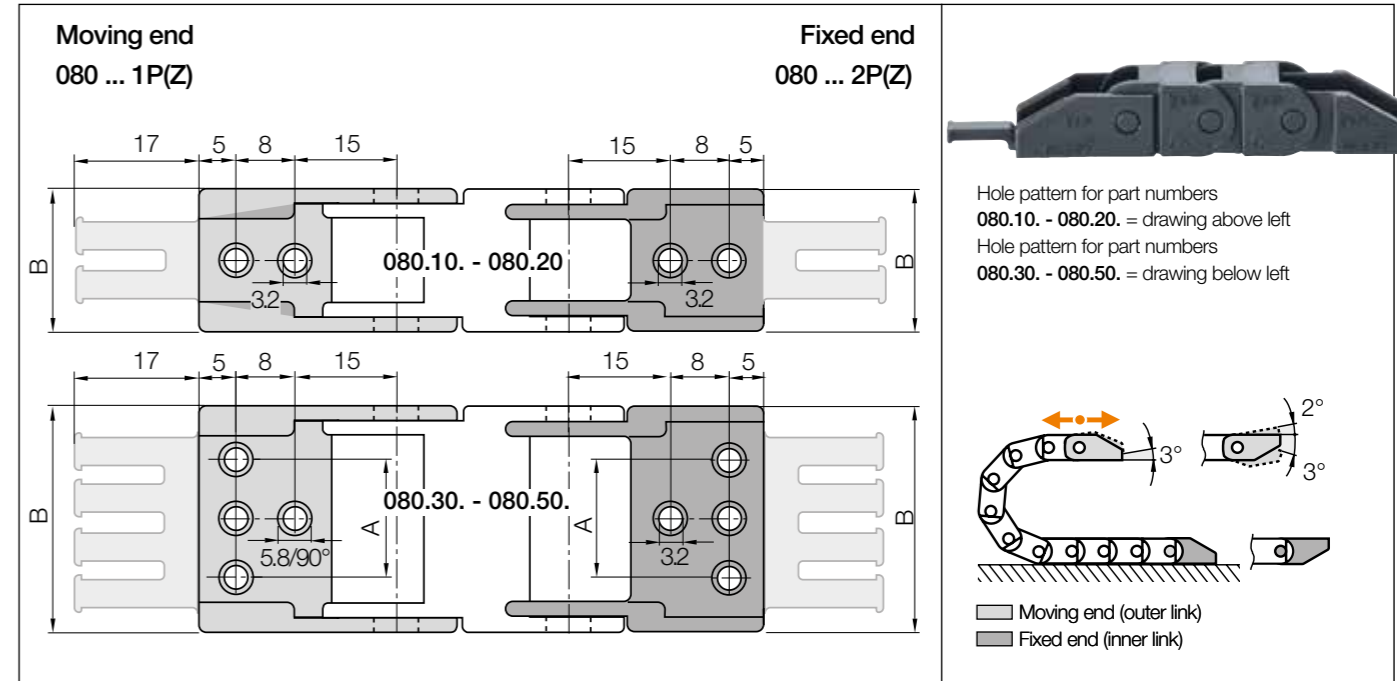


Inner height [mm] 15
 Pitch [mm/link] 20
 Links/m 50
 corresponds to [mm] 1,000
 e-chain® length $L_k = \frac{S}{2} + K$

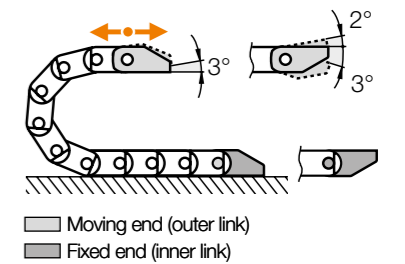
R	025*	028	038	048*
H	69	75	95	115
D	65	68	78	88
K	120	130	160	195

The required clearance height: $H_F = H + 15\text{mm}$ (with 0.3kg/m fill weight)

*Radius only available for some widths (please see product range table above)

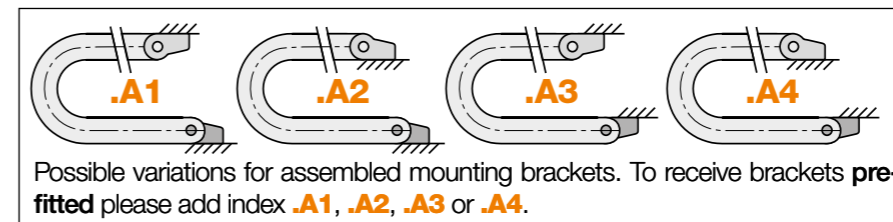


Hole pattern for part numbers
 080.10 - 080.20 = drawing above left
 Hole pattern for part numbers
 080.30 - 080.50 = drawing below left



Width index	Part No. full set with tiewrap plates	Part No. full set without tiewrap plates	A [mm]	B [mm]	Number of teeth
10. ▶	080.10.12PZ	080.10.12	-	18.2	1
13. ▶	-	080.13.12	-	21.2	-
16. ▶	080.16.12PZ	080.16.12	-	24.2	2
20. ▶	080.20.12PZ	080.20.12	-	28.2	2
30. ▶	080.30.12PZ	080.30.12	22	38.2	3
40. ▶	080.40.12PZ	080.40.12	32	48.2	4
50. ▶	080.50.12PZ	080.50.12	42	58.2	5

Material mounting bracket - igumid G, temperature: -40° up to +120°C, VDE 0304 IIC UL94-HB



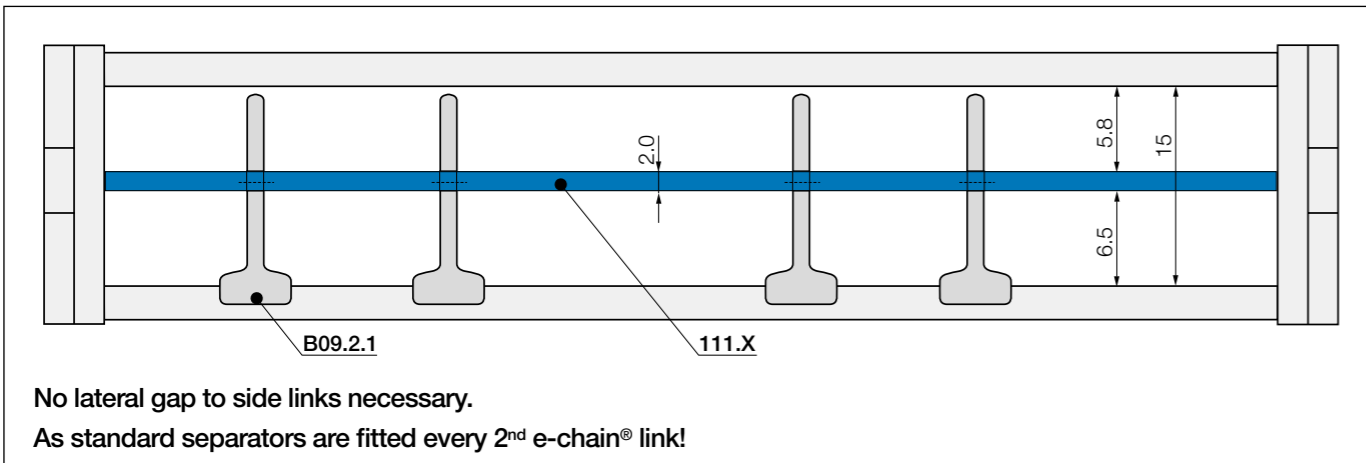
080.50.12PZ.A1 Order example
 .A... to indicate option with brackets pre-fitted
 With integrated strain relief tiewrap plates
 Full set
 Series

Rotating energy supply systems with Reverse Bend Radius (RBR) - some radii available from stock

- Maximum rotation angle in minimal installation space
- Minimal friction forces and maximum service life
- Short delivery times from stock

More information and the complete product range ▶ From page 130





		Slotted separator unassembled B09.2 assembled B09.2.1
		Full-width shelf for e-chains® unassembled 110.X assembled 111.X

Slotted separator
Vertical separation. The slot allows basic vertical/horizontal shelving arrangements.

Full-width shelf
This option is for applications with many small cables with similar diameters. For full-width separation.

Full-width shelves Width = X [mm]	X [mm]		X [mm]		X [mm]	
	unassembled	assembled	unassembled	assembled	unassembled	assembled
	010	110.10	111.10	020	110.20	111.20
	013	110.13	111.13	030	110.30	111.30
	016	110.16	111.16	040	110.40	111.40



Series 03 - extremely small installation space on a paint-spraying machine