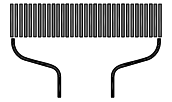


Type sheet

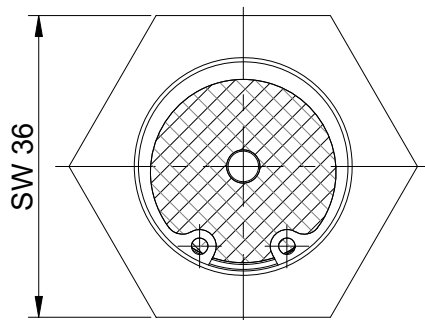
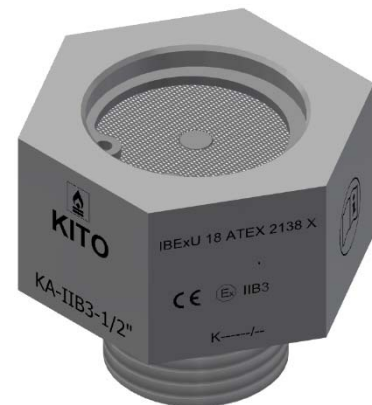
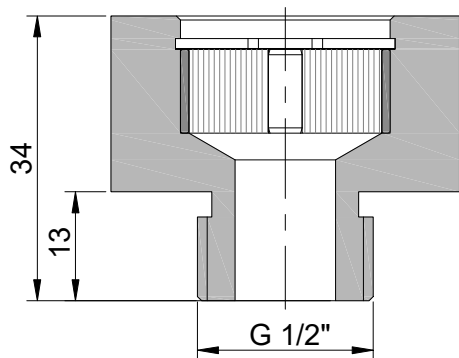
Condensate drain flame arrester - Deflagration flame arrester proof
KITO® KA-IIB3-1/2"



Application

Fittings for screwing in armature housings, of deflagration-proof pressure relief valves and combined PV valves for all inflammable liquids and vapors of explosion group IIB3 with NSW ≥ 0.65 mm. The condensate drain device enables draining of the condensate inside the housing to the outside and prevents flames from entering the valves

Dimensions (mm)



Example for order

KITO® KA-IIB3-1/2"
 (design with threaded connection G 1/2")

Type examination certificate to EN ISO 16852 and CE-marking in accordance to ATEX-Directive 2014/34/EU

Design

	standard	optionally
housing	stainless steel mat. no. 1.4571	
KITO®-grid	stainless steel mat. no. 1.4571	
retaining ring	stainless steel	
connection	thread G 1/2"	

page 1 of 1