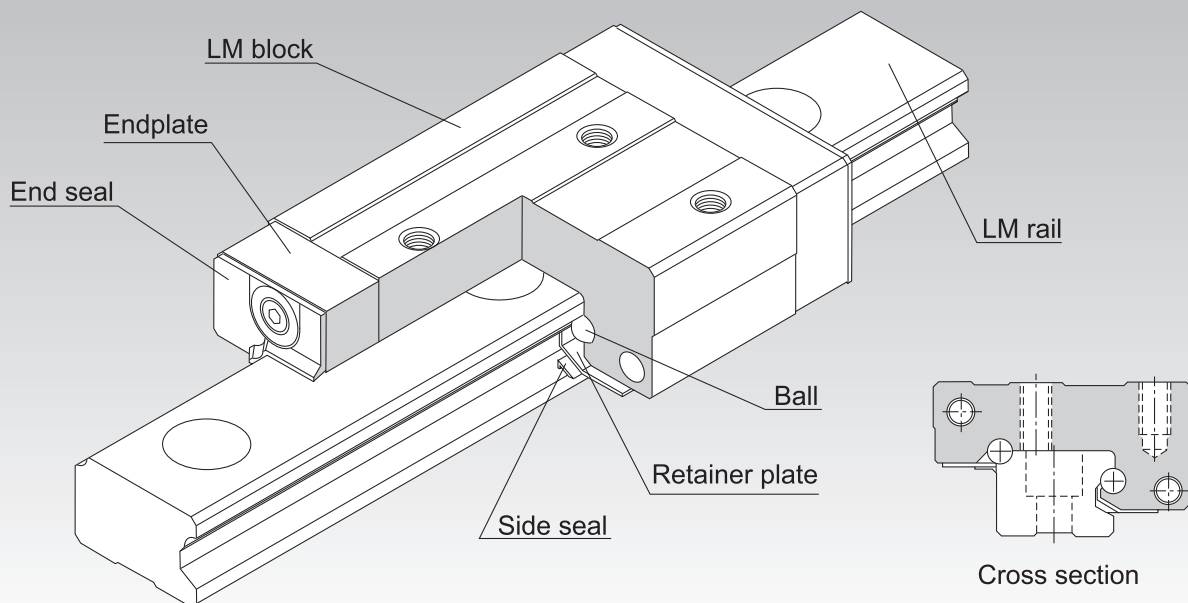


# GSR

## LM Guide Separate Type (Radial) Model GSR



<b>Point of Selection</b>	<b>A1-10</b>
<b>Point of Design</b>	<b>A1-460</b>
<b>Options</b>	<b>A1-485</b>
<b>Model No.</b>	<b>A1-551</b>
<b>Precautions on Use</b>	<b>A1-557</b>
<b>Accessories for Lubrication</b>	<b>A24-1</b>
<b>Mounting Procedure and Maintenance</b>	<b>B1-89</b>
Equivalent Moment Factor	<b>A1-43</b>
Rated Loads in All Directions	<b>A1-60</b>
Equivalent Factor in Each Direction	<b>A1-62</b>
Example of Clearance Adjustment	<b>A1-293</b>
Accuracy Standards	<b>A1-83</b>
Shoulder Height of the Mounting Base and the Corner Radius	<b>A1-474</b>
Reference Error Tolerance for the Mounting Surface	<b>A1-477</b>
Dimensions of Each Model with Options Attached	<b>A1-499</b>

---

## Structure and Features

---

Balls roll in two rows of raceways precision-ground on an LM rail and an LM block, and endplates incorporated in the LM block allow the balls to circulate. Since retainer plates hold the balls, they do not fall off.

As the top face of the LM block is inclined, a clearance is eliminated and an appropriate preload is applied simply by securing the LM block with mounting bolts.

Model GSR has a special contact structure using circular-arc grooves. This increases self-adjusting capability and makes GSR an optimal model for places associated with difficulty establishing high accuracy and for general industrial machinery.

\* Model GSR cannot be used in single-axis applications.

### [Interchangeability]

Both the LM block and LM rail are interchangeable and can be stored separately. Therefore, it is possible to store a long-size LM rail and cut it to a desired length before using it.

### [Compact]

Since model GSR has a low center of gravity structure with a low overall height, the machine can be downsized.

### [Capable of Receiving a Load in any Direction]

The ball contact angle is designed so that this model can receive a load in any direction. As a result, it can be used in places where a reverse radial load, lateral load or a moment in any direction is applied.

---

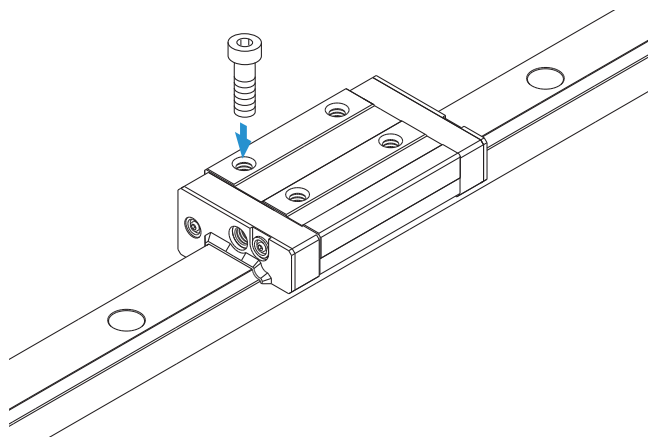
## Types and Features

---

### Model GSR-T

Specification Table⇒ **A1-294**

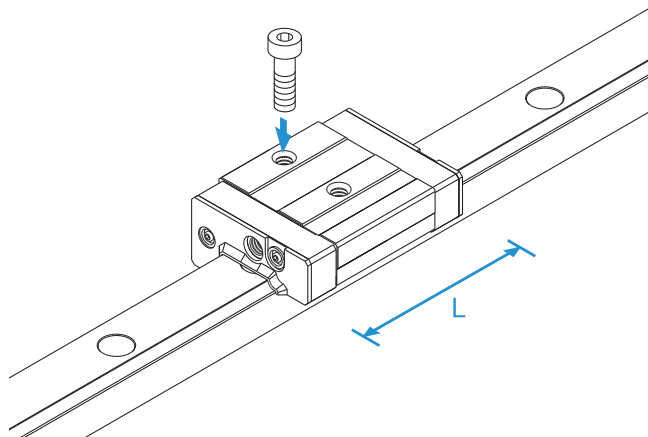
This model is a standard type.



### Model GSR-V

Specification Table⇒ **A1-294**

A space-saving type that has the same cross-sectional shape as GSR-T, but has a shorter overall LM block length (L).



## Example of Clearance Adjustment

By providing a shoulder maybe on the side face of each LM block and pressing either LM block with a bolt, a preload is applied and the rigidity is increased.

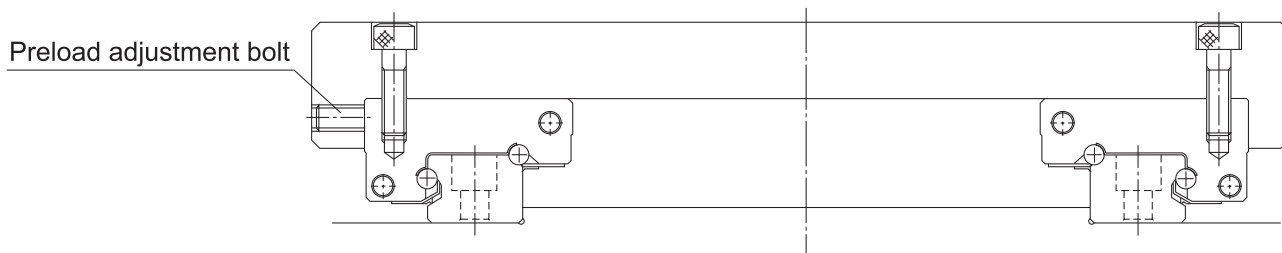
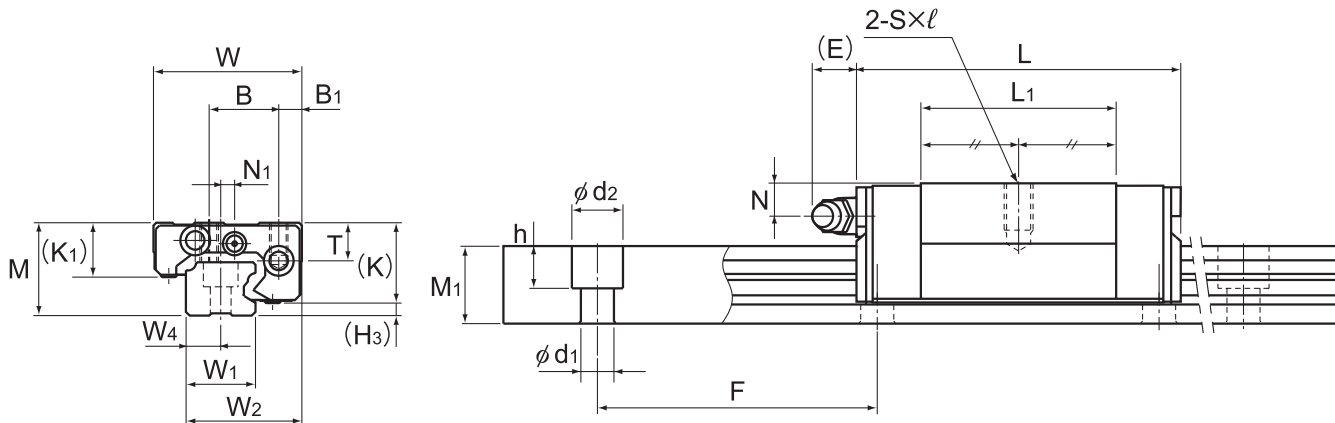


Fig.1 Example of Adjusting a Preload with a Push Bolt

## Models GSR-T and GSR-V



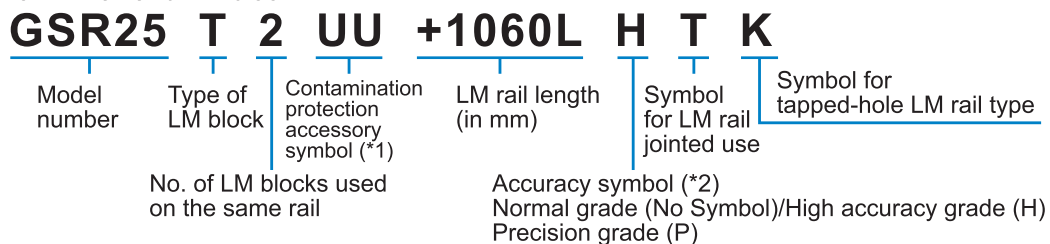
Model GSR15T/V

Models GSR15 to 25V

Model No.	Outer dimensions			LM block dimensions													Grease nipple	H <sub>3</sub>
	Height	Width	Length	B <sub>1</sub>	B	C	S×ℓ	L <sub>1</sub>	T	K	K <sub>1</sub>	N	N <sub>1</sub>	E				
	M	W	L															
GSR 15V GSR 15T	20	32	47.1 59.8	5	15	— 26	M4×7	27.5 40.2	8.25	16.8	12	4.5	3	5.5	PB107	3.2		
GSR 20V GSR 20T	24	43	58.1 74	7	20	— 30	M5×8	34.3 50.2	9.7	20.6	13.6	5	—	12	B-M6F	3.4		
GSR 25V GSR 25T	30	50	69 88	7	23	— 40	M6×10	41.2 60.2	12.7	25.4	16.8	7	—	12	B-M6F	4.6		
GSR 30T	33	57	103	8	26	45	M8×12	70.3	14.6	28.5	18	7	—	12	B-M6F	4.5		
GSR 35T	38	68	117	9	32	50	M8×15	80.3	15.6	32.5	20.5	8	—	12	B-M6F	5.5		

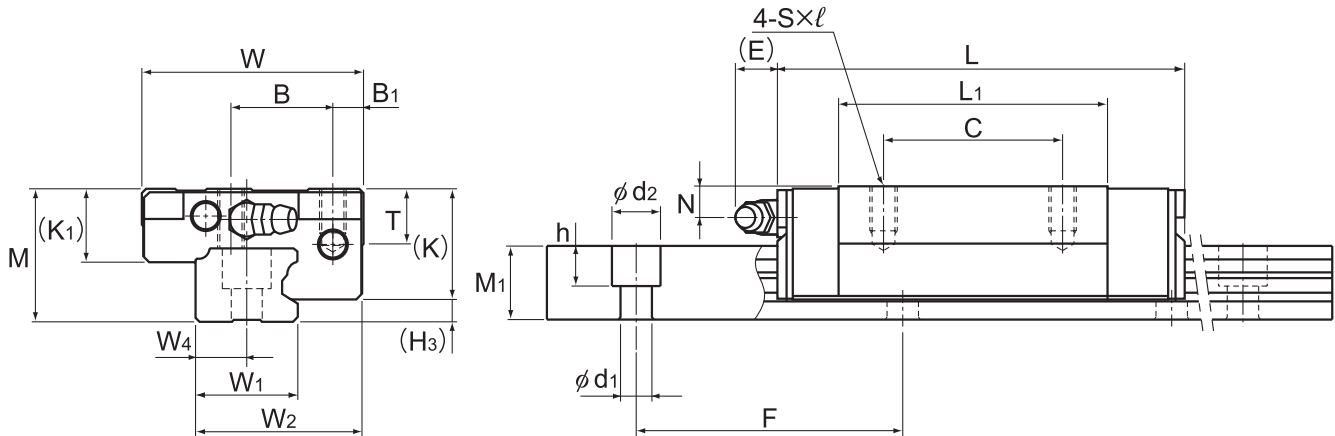
### Model number coding

Combination of LM rail and LM block



(\*1) See contamination protection accessory on **A1-524**. (\*2) See **A1-83**.

Note) One set of model GSR: This model number indicates that a single-rail unit constitutes one set.



Models GSR20 to 35T, Models GSR20V and 25V

Models GSR15 to 35T

Unit: mm

	LM rail dimensions							Basic load rating		Static permissible moment kN·m*				Mass	
	Width		Height	Pitch	Length*	C	C <sub>0</sub>	M <sub>A</sub>		M <sub>B</sub>		LM block	LM rail		
	W <sub>1</sub>	W <sub>2</sub>						W <sub>4</sub>	M <sub>1</sub>	F	d <sub>1</sub> × d <sub>2</sub> × h			Max	kN
	15	25	7.5	11.5	60	4.5 × 7.5 × 5.3	2000	6.51 8.42	6.77 9.77	0.0305 0.0606	0.19 0.337	0.0264 0.0523	0.165 0.29	0.08 0.13	1.2
	20	33	10	13	60	6 × 9.5 × 8.5	3000	10.5 13.6	10.6 15.3	0.06 0.118	0.368 0.652	0.052 0.102	0.318 0.562	0.17 0.25	1.8
	23	38	11.5	16.5	60	7 × 11 × 9	3000	15.5 20	15.2 22	0.102 0.205	0.625 1.11	0.0891 0.176	0.541 0.961	0.29 0.5	2.6
	28	44.5	14	19	80	9 × 14 × 12	3000	27.8	29.9	0.325	1.77	0.28	1.52	0.6	3.6
	34	54	17	22	80	11 × 17.5 × 14	3000	37	39.1	0.485	2.63	0.419	2.27	1	5

Note1) The maximum length under "Length\*" indicates the standard maximum length of an LM rail. (See [A1-296](#).)

Static permissible moment\* 1 block: the static permissible moment with one LM block

Double blocks: static permissible moment when two LM blocks are in close contact with each other

A moment in the M<sub>C</sub> direction can be received if two rails are used in parallel. However, since it depends on the distance between the two rails, it has been omitted.

Total block length L : The total block length L shown in the table is the length with the dust proof parts, code UU or SS. If other contamination protection accessories or lubricant equipment are installed, the total block length will increase. (See [A1-499](#) or [A1-520](#))

For oil lubrication, be certain to contact THK with the mounting orientation.

(Mounting orientation: see [A1-12](#), Lubricant: see [A24-2](#))

Note2) The basic load rating in the dimension table is for a load in the radial direction. Use Table7 on [A1-60](#) to calculate the load rating for loads in the reverse radial direction or lateral direction.

### Model number coding

LM block

**GSR25**   **T**   **UU**

Model number

Contamination protection accessory symbol (\*1)

Type of LM block

LM rail

**GSR25**   **-1060L**   **H**   **K**

Model number

LM rail length (in mm)

Symbol for tapped-hole LM rail type

Accuracy symbol (\*2)  
Normal grade (No Symbol)  
High accuracy grade (H)  
Precision grade (P)

(\*1) See contamination protection accessory on [A1-524](#). (\*2) See [A1-83](#).

Options ⇒ [A1-485](#)

**THK** **A1-295**

## Standard Length and Maximum Length of the LM Rail

Table1 shows the standard lengths and the maximum lengths of model GSR variations. In case the required quantity is large and the lengths are not the same, we recommend preparing an LM rail of the maximum length in stock. This is economical since it allows you to cut the rail to the desired length as necessary.

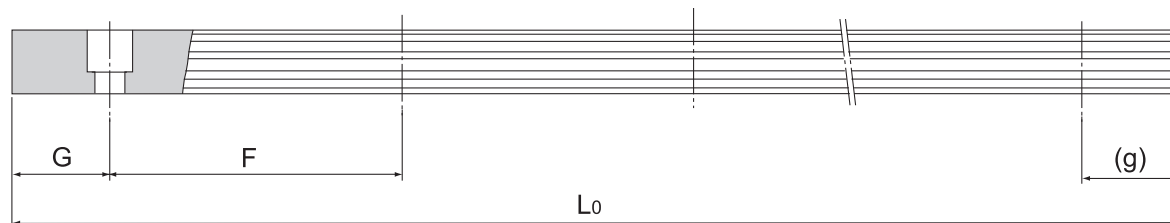


Table1 Standard Length and Maximum Length of the LM Rail for Model GSR

Unit: mm

Model No.	GSR 15	GSR 20	GSR 25	GSR 30	GSR 35
LM rail standard length (L <sub>0</sub> )	460	460	460	1240	1240
	820	820	820	1720	1720
	1060	1060	1060	2200	2200
	1600	1600	1600	3000	3000
Standard pitch F	60	60	60	80	80
G,g	20	20	20	20	20
Max length	2000	3000	3000	3000	3000

Note) The maximum length varies with accuracy grades. Contact THK for details.

## Tapped-hole LM Rail Type of Model GSR

- Since the bottom of the LM rail has a tapped hole, this model can easily be installed on an H-shape steel and channel.
- Since the top face of the LM rail has no mounting hole, the sealability is increased and entrance of foreign material (e.g., cutting chips) can be prevented.

- (1) Determine the bolt length so that a clearance of 2 to 3 mm is secured between the bolt end and the bottom of the tap (effective tap depth).
- (2) As shown in Fig.2, a tapered washer is also available that allows GSR to be mounted on a section steel.
- (3) For model number coding, see **A1-294** to **A1-295**.

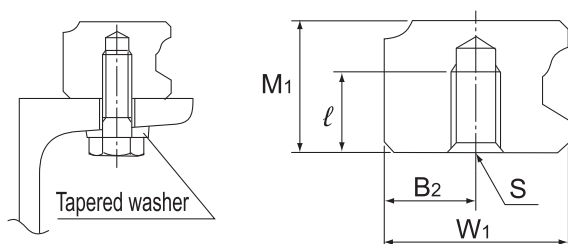


Fig.2

Table2 Tap Position and Depth Shape

Model No.	W <sub>1</sub>	B <sub>2</sub>	M <sub>1</sub>	S × ℓ
GSR 15	15	7.5	11.5	M4 × 7
GSR 20	20	10	13	M5 × 8
GSR 25	23	11.5	16.5	M6 × 10
GSR 30	28	14	19	M8 × 12
GSR 35	34	17	22	M10 × 14

