

Rod ends with female thread: KCRM and KCLM



- Smooth design no dirt traps
- Spherical ball is clipped in
- Choice of iglidur® spherical ball materials
- Compensation of misalignment errors
- Lightweight
- Absolute corrosion resistance
- Available with stainless steel sleeve for higher tightening torque
- Dimensional K series according to DIN ISO 12240
- Adapter screw with circlip available
- ▶ Accessories, page 861

Service life calculation online
▶ www.igus.eu/igubal-expert

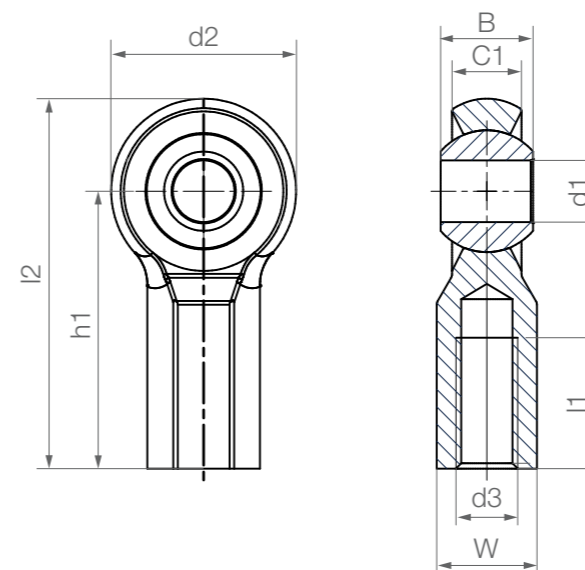
Technical data

Part No.	Max. static tensile strain		Max. static axial force		Min. thread depth	Max. tightening torque	Max. tightening torque through ball		Weight
	Short-term	Long-term	Short-term	Long-term			without stainless steel sleeve	with stainless steel sleeve	
KC□M-05	1,200	600	180	90	7	1.00	5	12	4.0
KC□M-06	1,400	700	300	150	8	0.75	10	15	4.2
KC□M-08	2,100	1,050	500	250	11	2.00	12	40	7.6
KC□M-10	3,100	1,550	800	400	13	3.00	20	50	12.8
KC□M-10-F	3,100	1,550	800	400	13	3.00	20	50	12.8
KC□M-12	3,560	1,780	750	375	15	15.0	30	70	19.0
KC□M-12-F	3,560	1,780	750	375	15	15.0	30	70	19.0
KC□M-16	3,800	1,900	800	400	19	15.0	40	110	34.0
KC□M-16-F	3,800	1,900	800	400	19	15.0	40	110	34.0
KC□M-20	4,550	2,275	400	200	22	20.0	55	200	55.0
KC□M-20-M20	4,550	2,275	400	200	22	20.0	55	200	55.0

Alternative spherical ball materials ▶ Page 841



Rod ends with female thread: KCRM and KCLM



Order key

Type	Size [mm]	Options
K C □ M - 06		MH
K series	Housing (female thread)	Thread
	Thread	Metric
	Inner Ø	

Thread
L = Left-hand thread
R = Right-hand thread

Add-on:
MH =
With stainless steel sleeve

Material:
Housing: igumid G ▶ Page 1654
Spherical ball: iglidur® W300 ▶ Page 171
Other spherical ball materials upon request
▶ Page 841

Dimensions [mm]

Part No.	d1 E10	d2	d3	W	B		C1	h1	I1	I2	Max. pivot angle
					without stainless steel sleeve	with stainless steel sleeve +0.2					
KC□M-05	5	18	M5	SW9	8	8.2	6.0	27	12.0	36	43°
KC□M-06	6	20	M6	SW10	9	9.2	7.0	30	13.5	40	40°
KC□M-08	8	24	M8	SW13	12	12.2	9.0	36	17.0	48	35°
KC□M-10	10	30	M10	SW15	14	14.2	10.5	43	22.0	58	35°
KC□M-10-F	10	30	M10 x 1.25	SW15	14	14.2	10.5	43	22.0	58	35°
KC□M-12	12	34	M12	SW17	16	16.2	12.0	50	25.0	67	35°
KC□M-12-F	12	34	M12 x 1.25	SW17	16	16.2	12.0	50	25.0	67	35°
KC□M-16	16	42	M16	SW20	21	21.2	15.0	64	30.0	85	35°
KC□M-16-F	16	42	M16 x 1.5	SW20	21	21.2	15.0	64	30.0	85	35°
KC□M-20	20	50	M20 x 1.5	SW24	25	25.2	18.0	77	35.0	102	35°
KC□M-20-M20	20	50	M20 x 2.5	SW24	25	25.2	18.0	77	35.0	102	35°

Rod ends can be ordered in metric dimensions with stainless steel sleeve with the addition of MH after the part numbers listed here. Example: KCRM-10 MH (Inner Ø: 10mm).

For another spherical bearing material than iglidur® W300, please add "J" to the part number, for example. Example: KCRM-05 J.