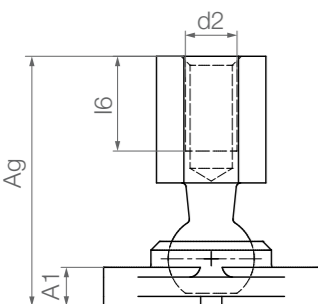
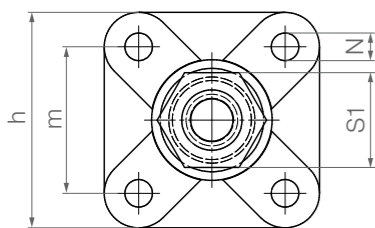


Complete housing with ball stud,
female thread: GFSM-...-IG



- Maintenance and corrosion-free
- Easy connection – easy assembly
- Compensation of misalignment errors



Order key

Type	Size [mm]	Version
------	-----------	---------

GF S M- 06 - IG ES

Flange mounted	4 holes	Metric	Inner Ø	Female thread
----------------	---------	--------	---------	---------------

Options:

Ball stud

Blank = Made of galvanised steel

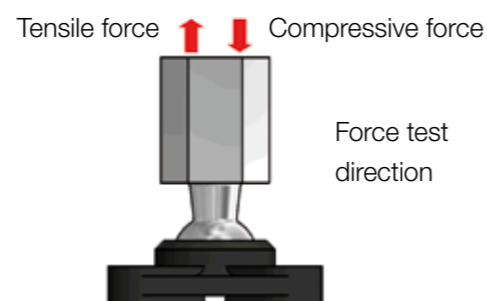
ES = Made of stainless steel^{2B)}

Material:

Housing: **igumid G** ▶ Page 1654

Ball stud: galvanised and stainless steel^{2B)}

▶ Accessories, page 859



Technical data

Part No.	Max. static tensile strain		Max. static compressive force		Weight [g]
	Short-term [N]	Long-term [N]	Short-term [N]	Long-term [N]	
GFSM-06-IG	150	75	350	175	16.4
GFSM-08-IG	250	125	750	375	34.0
GFSM-10-IG	140	70	1,200	600	61.1

Dimensions [mm]

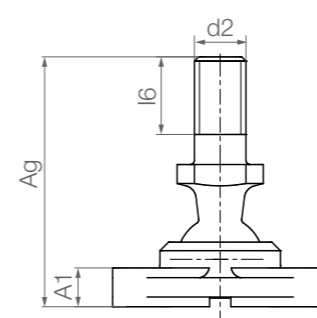
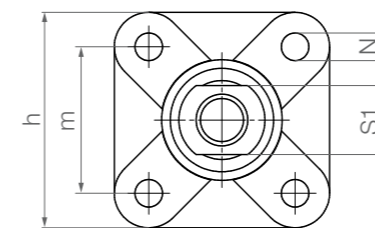
Part No.	d2	m	h	Ag	A1	l6	N	S1	Max. pivot angle
GFSM-06-IG	M6	17	25	29.0	4.5	11	3.2	SW11	32°
GFSM-08-IG	M8	22	33	36.0	5.5	12	4.3	SW14	40°
GFSM-10-IG	M10	26	38	43.5	6.5	16	5.3	SW17	34°

^{2B)} Stainless steel ball stud upon request

Complete housing with ball stud,
male thread: GFSM-...-AG



- Maintenance and corrosion-free
- Easy connection – easy assembly
- Compensation of misalignment errors



Order key

Type	Size [mm]	Version
------	-----------	---------

GF S M- 06 - AG ES

Flange mounted	4 holes	Metric	Inner Ø	male thread
----------------	---------	--------	---------	-------------

Options:

Ball stud¹⁹⁾

Blank = Made of galvanised steel

PZ = Made of plastic

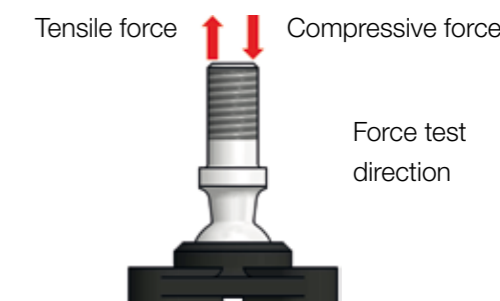
ES = Made of stainless steel^{2B)}

Material:

Housing: **igumid G** ▶ Page 1654

Ball studs: plastic, galvanised steel and stainless steel^{2B)} ▶ Accessories, page 860

▶ Accessories, page 860



Technical data

Part No.	Max. static tensile strain		Max. static compressive force		Weight [g]
	Short-term [N]	Long-term [N]	Short-term [N]	Long-term [N]	
GFSM-06-AG	150	75	350	175	10.6
GFSM-08-AG	250	125	750	375	23.1
GFSM-10-AG	140	70	1,200	600	41.2

Dimensions [mm]

Part No.	d2	m	h	Ag	A1	l6	N	S1	Max. pivot angle
GFSM-06-AG	M6	17	25	29.0	4.5	10.5	3.2	SW8	32°
GFSM-08-AG	M8	22	33	36.0	5.5	13.5	4.3	SW11	34°
GFSM-10-AG	M10	26	38	43.5	6.5	16.0	5.3	SW13	34°

¹⁹⁾ Ball stud with right-hand thread; left-hand thread upon request

^{2B)} Stainless steel ball stud upon request