


Clevis joints: GERM and GELM



- Lightweight
- Robust
- Absolute corrosion resistance
- High tensile force
- Can be combined with E series rod end
- Vibration-dampening
- Noise-dampening
- Available with left- (GELM) and right-hand-thread (GERM)

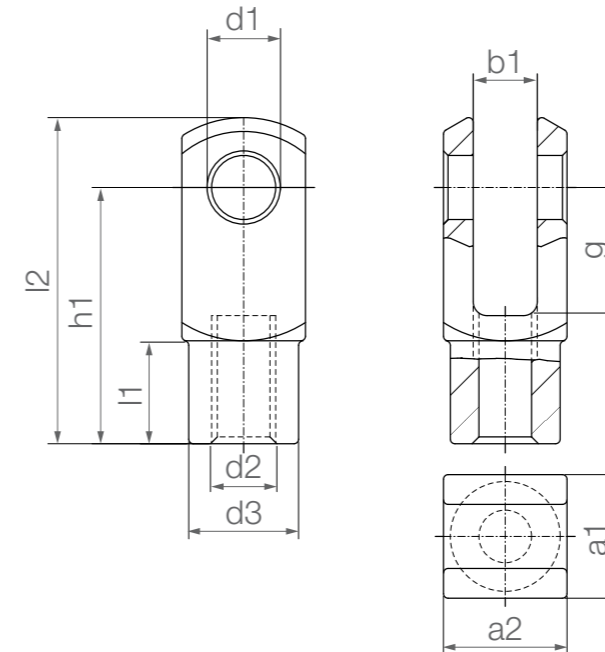
 Service life calculation online
▶ www.igus.eu/igubal-expert


Technical data

| Part No. | max. static tensile strain | | Max. static axial force | | Max. tightening torque [Nm] | Weight [g] |
|----------------------------------|----------------------------|-----------|-------------------------|-----------|-----------------------------|------------|
| | Short-term | Long-term | Short-term | Long-term | | |
| | [N] | [N] | [N] | [N] | | |
| GE□M-04 M3.5 | 650 | 325 | 250 | 125 | 0.4 | 0.9 |
| GE□M-04 | 650 | 325 | 250 | 125 | 0.4 | 0.9 |
| GE□M-05 DIN M4 | 1,000 | 500 | 250 | 125 | 0.4 | 1.5 |
| GE□M-05 DIN M5 | 1,000 | 500 | 250 | 125 | 0.5 | 1.5 |
| GE□M-05 | 1,200 | 600 | 250 | 125 | 0.5 | 2.7 |
| GE□M-05 DIN M5 LS ²²⁾ | 1,000 | 500 | 130 | 65 | 0.5 | 2.3 |
| GE□M-06 | 1,400 | 700 | 300 | 150 | 1.5 | 2.5 |
| GE□M-06 LS ²²⁾ | 1,400 | 700 | 130 | 65 | 1.5 | 3.6 |
| GE□M-08 | 2,700 | 1,350 | 650 | 325 | 5.0 | 6.3 |
| GE□M-10 | 4,700 | 2,350 | 800 | 400 | 15.0 | 13.2 |
| GE□M-10 F | 4,700 | 2,350 | 800 | 400 | 6.0 | 13.2 |
| GE□M-12 | 5,700 | 2,850 | 900 | 450 | 20.0 | 20.2 |
| GE□M-12 F | 5,700 | 2,850 | 900 | 450 | 15.0 | 20.2 |
| GE□M-14 | 6,600 | 3,300 | 1,000 | 500 | 25.0 | 29.9 |
| GE□M-14 F | 6,600 | 3,300 | 1,000 | 500 | 20.0 | 29.9 |
| GE□M-15 | 3,200 | 1,600 | 1,000 | 500 | 25.0 | 30.0 |
| GE□M-16 | 7,500 | 3,750 | 1,200 | 600 | 30.0 | 49.9 |
| GE□M-16 F | 7,500 | 3,750 | 1,200 | 600 | 27.5 | 49.9 |
| GE□M-17 | 3,600 | 1,800 | 1,200 | 600 | 30.0 | 50.0 |
| GE□M-17 F | 3,600 | 1,800 | 1,200 | 600 | 27.5 | 50.0 |
| GE□M-20 | 9,500 | 4,750 | 3,000 | 1,500 | 60.0 | 105.0 |
| GE□M-20 M20 | 9,500 | 4,750 | 3,000 | 1,500 | 80.0 | 105.0 |

²²⁾ LS = longer shank

Clevis joints: GERM and GELM



 Order key

| Type | Size [mm] | Options |
|---------------------|-----------------|---|
| GE□M-04 | LS | Thread L = Left-hand thread R = Right-hand thread |
| Clevis joint | E series | Add-on: LS = Longer shank |
| Thread | Metric | |
| Inner Ø | | |

 Material:
igumid G ▶ Page 1654

Dimensions [mm]

| Part No. | d1 +0.1 | g h11 | a1 +0.3 -0.16 | a2 +0.3 -0.16 | b1 B13 | d2 | d3 ±0.3 | l2 ±0.5 | h1 ±0.3 | l1 ±0.2 |
|----------------------------------|------------|----------|---------------------|---------------------|-----------|------------|------------|------------|------------|------------|
| GE□M-04 M3.5 | 4 | 8 | 8 | 8 | 4 | M3.5 | 8 | 21.0 | 16 | 6.0 |
| GE□M-04 | 4 | 8 | 8 | 8 | 4 | M4 | 8 | 21.0 | 16 | 6.0 |
| GE□M-05 DIN M4 | 5 | 10 | 10 | 10 | 5 | M4 | 9 | 24.5 | 20 | 7.5 |
| GE□M-05 DIN M5 | 5 | 10 | 10 | 10 | 5 | M5 | 9 | 24.5 | 20 | 7.5 |
| GE□M-05 | 5 | 12 | 12 | 12 | 6 | M5 | 10 | 31.0 | 24 | 9.0 |
| GE□M-05 DIN M5 LS ²²⁾ | 5 | 20 | 10 | 10 | 5 | M5 | 9 | 36.0 | 30 | 7.5 |
| GE□M-06 | 6 | 12 | 12 | 12 | 6 | M6 | 10 | 31.0 | 24 | 9.0 |
| GE□M-06 LS ²²⁾ | 6 | 24 | 12 | 12 | 6 | M6 | 10 | 43.0 | 36 | 9.0 |
| GE□M-08 | 8 | 16 | 16 | 16 | 8 | M8 | 14 | 42.0 | 32 | 12.0 |
| GE□M-10 | 10 | 20 | 20 | 20 | 10 | M10 | 18 | 52.0 | 40 | 15.0 |
| GE□M-10 F | 10 | 20 | 20 | 20 | 10 | M10 x 1.25 | 18 | 51.3 | 40 | 15.0 |
| GE□M-12 | 12 | 24 | 24 | 24 | 12 | M12 | 20 | 61.3 | 48 | 18.0 |
| GE□M-12 F | 12 | 24 | 24 | 24 | 12 | M12 x 1.25 | 20 | 61.3 | 48 | 18.0 |
| GE□M-14 | 14 | 28 | 27 | 27 | 14 | M14 | 24 | 71.3 | 56 | 22.5 |
| GE□M-14 F | 14 | 28 | 27 | 27 | 14 | M14 x 1.5 | 24 | 71.3 | 56 | 22.5 |
| GE□M-15 | 15 | 28 | 27 | 27 | 14 | M14 | 24 | 71.3 | 56 | 22.5 |
| GE□M-16 | 16 | 32 | 32 | 32 | 16 | M16 | 26 | 81.9 | 64 | 24.0 |
| GE□M-16 F | 16 | 32 | 32 | 32 | 16 | M16 x 1.5 | 26 | 81.9 | 64 | 24.0 |
| GE□M-17 | 17 | 32 | 32 | 32 | 16 | M16 | 26 | 83.0 | 64 | 24.0 |
| GE□M-17 F | 17 | 32 | 32 | 32 | 16 | M16 x 1.5 | 26 | 83.0 | 64 | 24.0 |
| GE□M-20 | 20 | 40 | 40 | 40 | 20 | M20 x 1.5 | 34 | 105.0 | 80 | 30.0 |
| GE□M-20 M20 | 20 | 40 | 40 | 40 | 20 | M20 x 2.5 | 34 | 105.0 | 80 | 30.0 |

²²⁾ LS = longer shank