

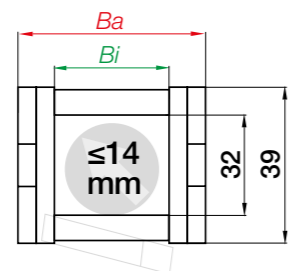
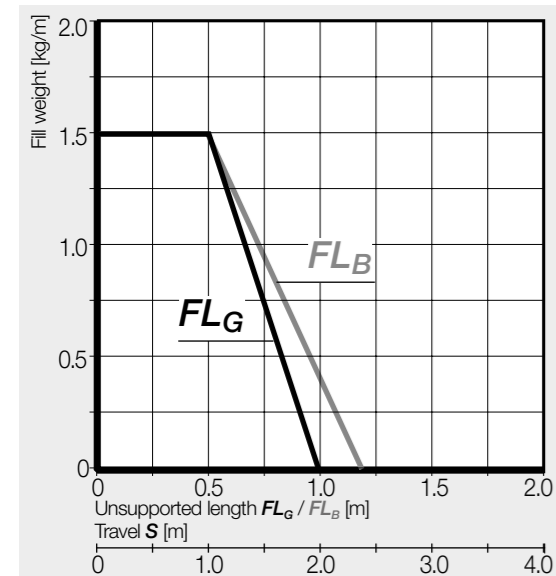


e-chains® | Series F17 | Openable along the inner radius from one side with film hinge

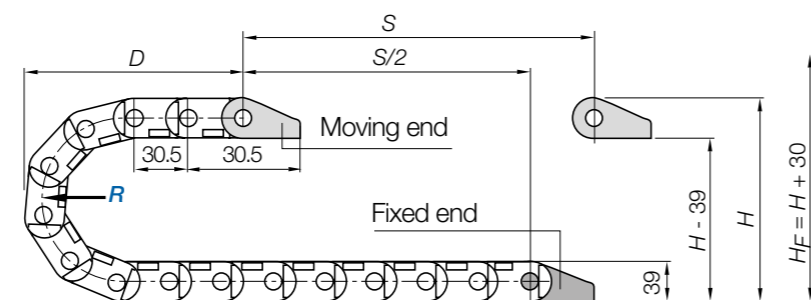
Part No.	<i>Bi</i>	<i>Ba</i>	<i>R</i> Available bend radii	Weight
e-chains®	[mm]	[mm]	[mm]	[kg/m]
F17.015.R.0	15	26	048   075	≈ 0.52

Complete Part No. with required radius (*R*). Example: F17.015.048.0

Installation dimensions

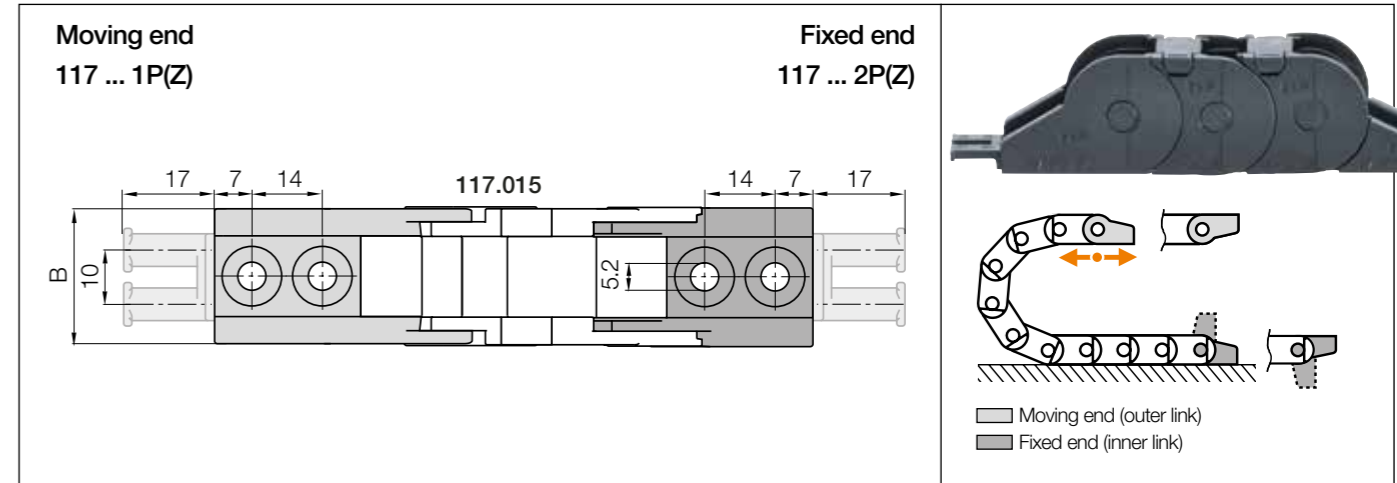


Inner height [mm]	32
Pitch [mm/link]	30.5
Links/m	33
corresponds to [mm]	1,006.5
e-chain® length	$L_k = \frac{S}{2} + K$



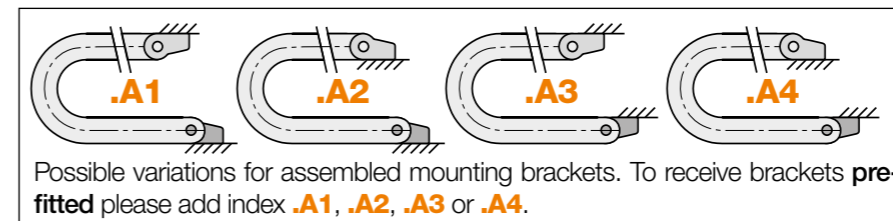
<i>R</i>	048	075
<i>H</i>	135	189
<i>D</i>	113	140
<i>K</i>	215	300

The required clearance height:  $H_F = H + 30\text{mm}$  (with 0.5kg/m fill weight)



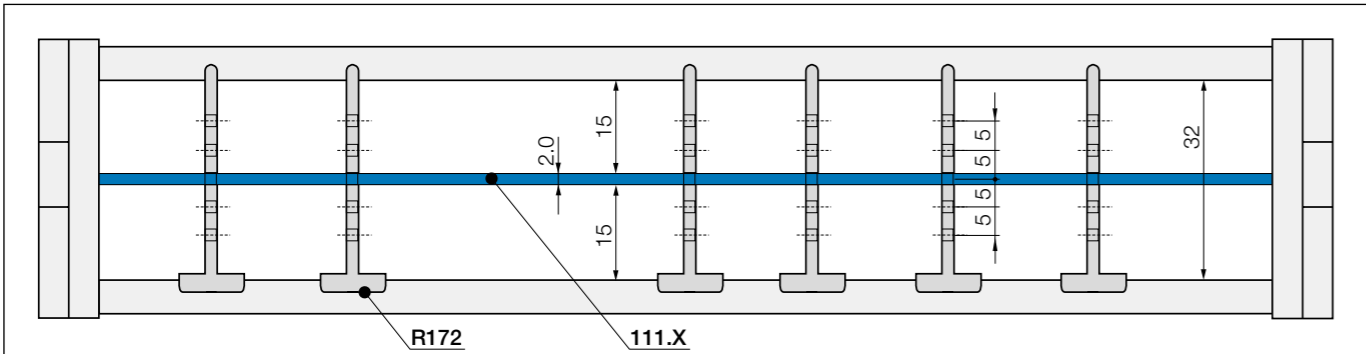
Width index	Part No. full set with tiewrap plates	Part No. full set without tiewrap plates	A [mm]	B [mm]	Number of teeth
015. ►	117.015.12PZ	117.015.12P	-	25.7	2

Material mounting bracket - igumid G, temperature: -40° up to +120°C, VDE 0304 IIC UL94-HB



**117.015.12PZ.A1** Order example  
 .A... to indicate option with brackets pre-fitted  
 With integrated strain relief tiewrap plates  
 Full set  
 Series

Interior separation



No lateral gap to side links necessary.  
As standard separators are fitted every 2<sup>nd</sup> e-chain® link!

		<b>Slotted separator</b> unassembled <b>R171</b> assembled <b>R172</b>
		<b>Full-width shelf for e-chains®</b> unassembled <b>110.X</b> assembled <b>111.X</b>

**Slotted separator**  
Vertical separation in e-tubes. The slot allows basic vertical/horizontal shelving arrangements.

**Full-width shelf**  
This option is for applications with many small cables with similar diameters. For full-width separation.

<b>Full-width shelves</b> Width = X [mm]	<b>X [mm]</b>	unassembled	assembled
	015	<b>110.15</b>	<b>111.15</b>



E2 mini e-chain® with Reverse Bend Radius *RBR*