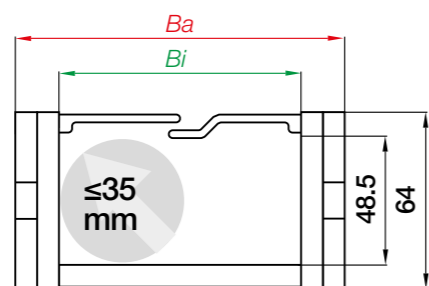
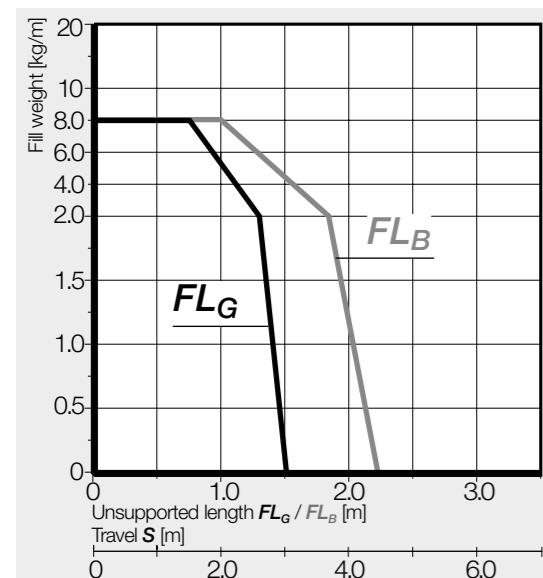


Version E | Series E300 | "easy" design, split crossbar along the outer radius
Version Z | Series Z300 | "easy" design, split crossbar along the inner radius

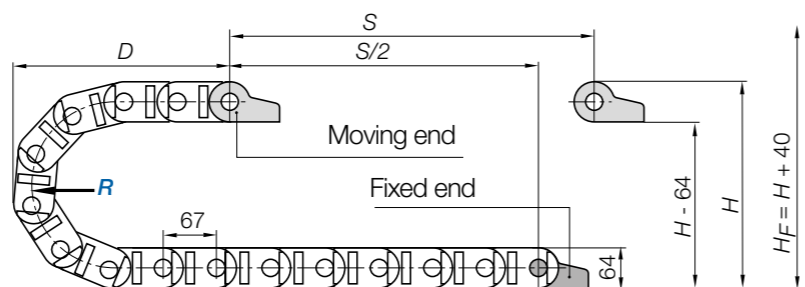
Chamber design	Part No. Version E	Part No. Version Z	Bi [mm]	Ba [mm]	R Available bend radii [mm]	Weight [kg/m]
1-chamber	E300.075.R.0	Z300.075.R.0	75	95	075 100 125 150 200 250 300	≈ 1.60
2-chamber	E300.2/45.R.0	Z300.2/45.R.0	48/48	120	075 100 125 150 200 250 300	≈ 1.78
3-chamber	E300.3/45.R.0	Z300.3/45.R.0	47/46/47	170	075 100 125 150 200 250 300	≈ 1.92

Complete Part No. with required radius (R). Example: E300.075.150.0

Installation dimensions

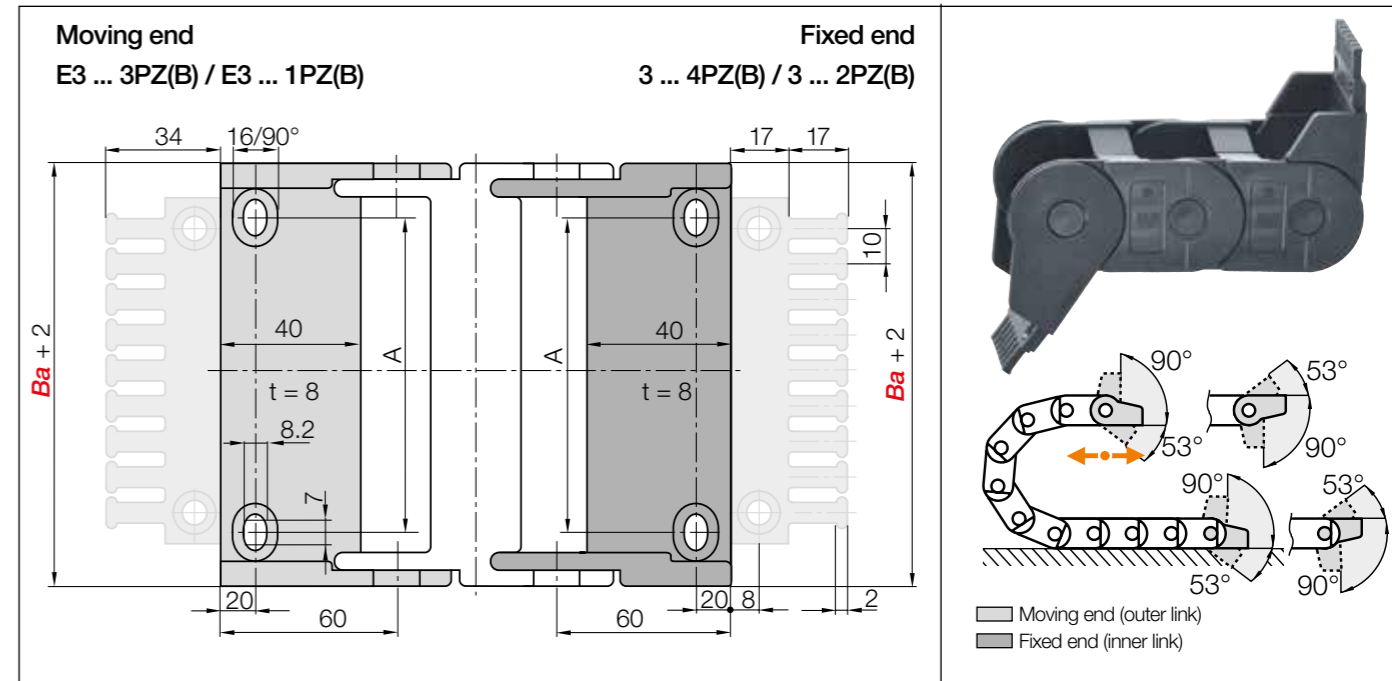


Inner height [mm]	48.5
Pitch [mm/link]	67
Links/m	15
corresponds to [mm]	1,005
e-chain® length	$L_K = \frac{S}{2} + K$



R	075	100	125	150	200	250	300
H+5	214	264	314	364	464	564	664
D	208	233	258	283	333	383	433
K	370	450	530	610	765	920	1,080

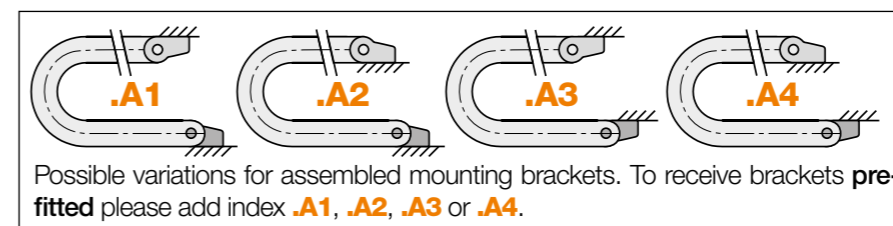
The required clearance height: $H_F = H + 40\text{mm}$ (with 2.5kg/m fill weight)



Width index	Part No. full set pivoting	Part No. full set locking		A [mm]	Number of teeth
		with tiewrap plates	without tiewrap plate		
075.	E3075.34PZB	E3075.34PZ	E3075.12PZB	E3075.12PZ	7
2/45.	E3100.34PZB	E3100.34PZ	E3100.12PZB	E3100.12PZ	10
3/45.	E3150.34PZB	E3150.34PZ	E3150.12PZB	E3150.12PZ	15

Material mounting bracket - igumid G, temperature: -40° up to +120°C, VDE 0304 IIC UL94-HB

Full set with tiewrap plate + 10 cable tiewraps, please add index K1. Example: E3075.34PZBK1



E3075.34PZB.A2 Order example
.A... to indicate option with brackets pre-fitted with integrated strain relief tiewrap plates
Full set
Series

Strain relief e.g. clamps, tiewrap plates, nuggets and clips are available from stock. The complete chainfix range with ordering options ▶ From page 1392

Interior separation

Modular shelf

For additional horizontal subdivision of the inner space, shelves are available for e-chains® series E300.3/45 and Z300.3/45. They can be fitted at 7 different heights.

Shelf for e-chains®	Price
unassembled	386.54
assembled	387.54

