



2 + 3 chamber design  
Inner height: 37.1

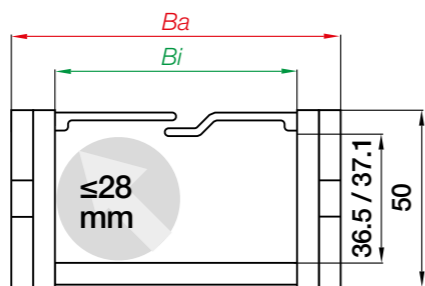
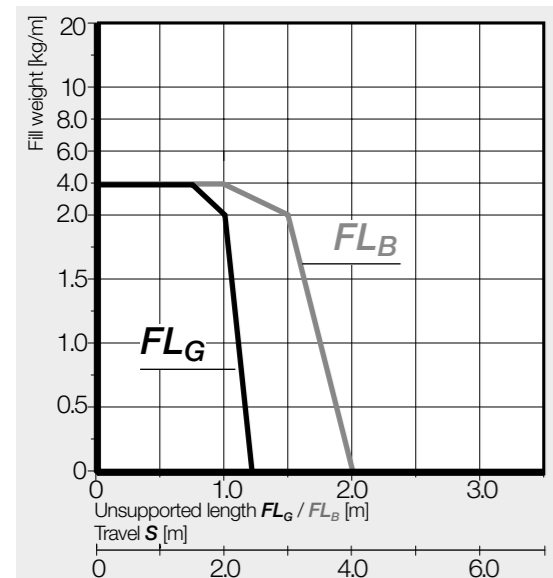


Version E | Series E26 | "easy" design, split crossbar along the outer radius  
Version Z | Series Z26 | "easy" design, split crossbar along the inner radius

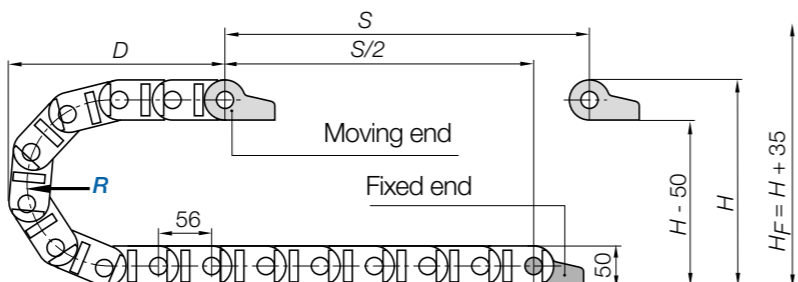
Chamber design	Part No. Version E	Part No. Version Z	Bi [mm]	Ba [mm]	R Available bend radii [mm]	Weight [kg/m]
1-chamber	E26.07.R.0	Z26.07.R.0	75	92	063   075   100   125   150   175   200   250	≈ 0.96
2-chamber	E26.2/45.R.0	Z26.2/45.R.0	48/48	117	063   075   100   125   150   175   200   250	≈ 1.14
3-chamber	E26.3/45.R.0	Z26.3/45.R.0	47/48/47	167	063   075   100   125   150   175   200   250	≈ 1.30

Complete Part No. with required radius (R). Example: E26.07.150.0

Installation dimensions

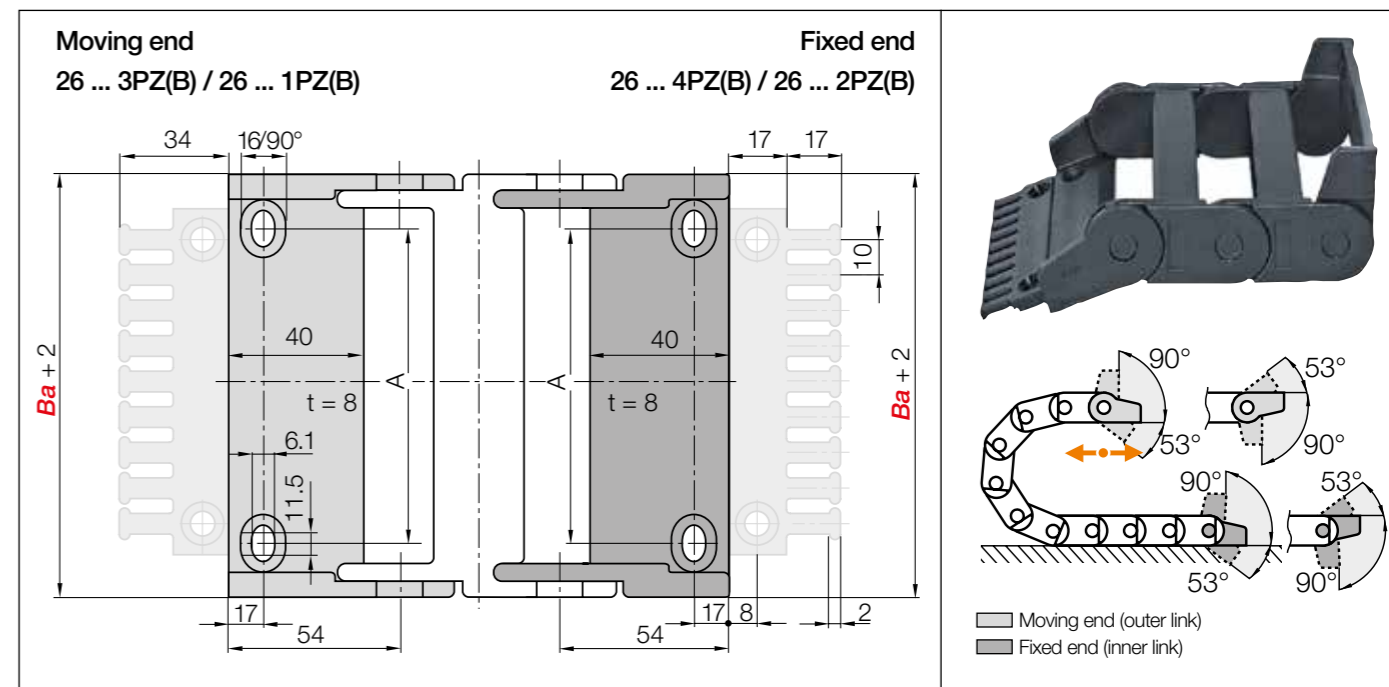


Inner height [mm]	1-chamber: 36.5 2 & 3-chamber: 37.1
Pitch [mm/link]	56
Links/m	18
corresponds to [mm]	1,008
e-chain® length	$L_K = \frac{S}{2} + K$



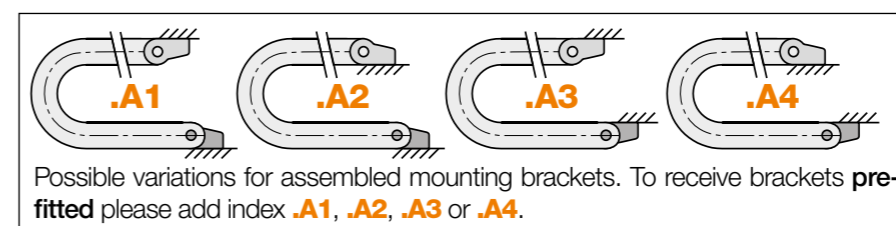
R	063	075	100	125	150	175	200	250
H+5	176	200	250	300	350	400	450	550
D	172	184	209	234	259	284	309	359
K	310	350	430	505	585	665	745	900

The required clearance height:  $H_F = H + 35\text{mm}$  (with 2.0kg/m fill weight)



Width index	Part No. full set pivoting	Part No. full set locking		A [mm]	Number of teeth
		with tiewrap plates	without tiewrap plate		
07.	2607.34PZB	2607.34PZ	2607.12PZB	55	7
2/45.	2610.34PZB	2610.34PZ	2610.12PZB	80	10
3/45.	2615.34PZB	2615.34PZ	2615.12PZB	130	15

Material mounting bracket - igumid G, temperature: -40° up to +120°C, VDE 0304 IIC UL94-HB  
Full set with tiewrap plate + 10 cable tiewraps, please add index K1. Example: 2607.34PZBK1



2607.34PZB.A2 Order example  
.A... to indicate option with brackets pre-fitted  
With integrated strain relief tiewrap plates  
Full set  
Series

Strain relief e.g. clamps, tiewrap plates, nuggets and clips are available from stock. The complete chainfix range with ordering options ▶ From page 1392