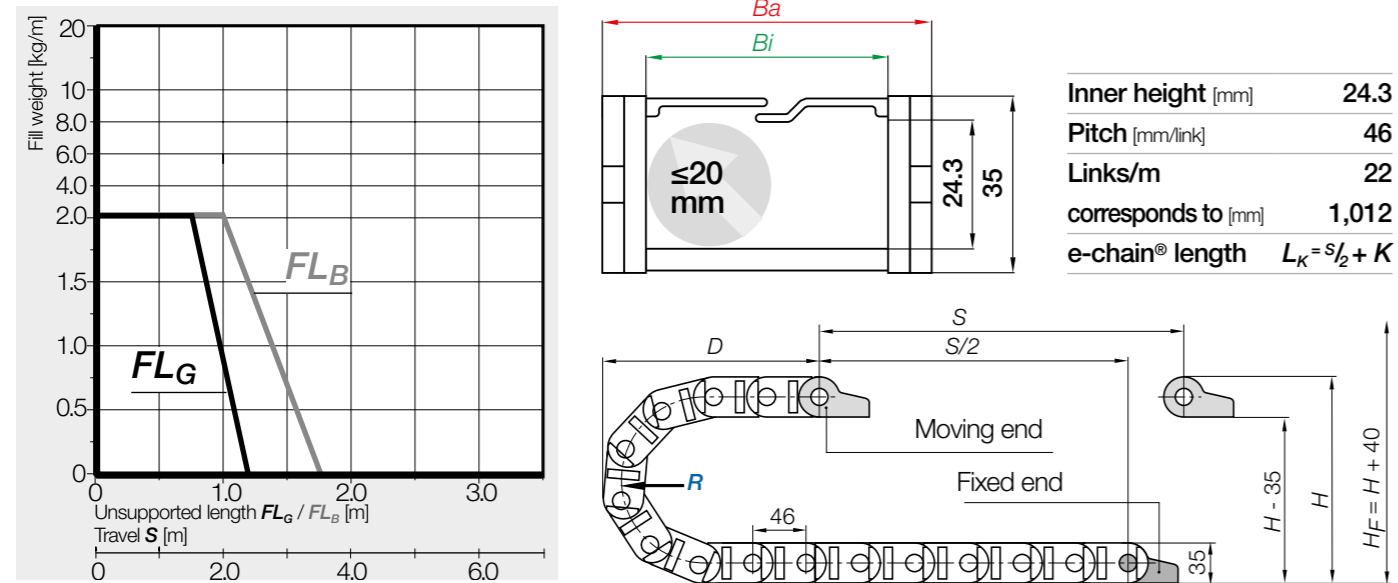


Version E | Series E200 | "easy" design, split crossbar along the outer radius
Version Z | Series Z200 | "easy" design, split crossbar along the inner radius

Chamber design	Part No. Version E	Part No. Version Z	Bi [mm]	Ba [mm]	R Available bend radii [mm]	Weight [kg/m]
1-chamber	E200.05.R.0	Z200.05.R.0	57	74.4	055 075 100 150 200	≈ 0.70
2-chamber	E200.2/35.R.0	Z200.2/35.R.0	37/37	94.4	055 075 100 150 200	≈ 0.79
	E200.2/50.R.0	Z200.2/50.R.0	50/50	120.4	055 075 100 150 200	≈ 0.82

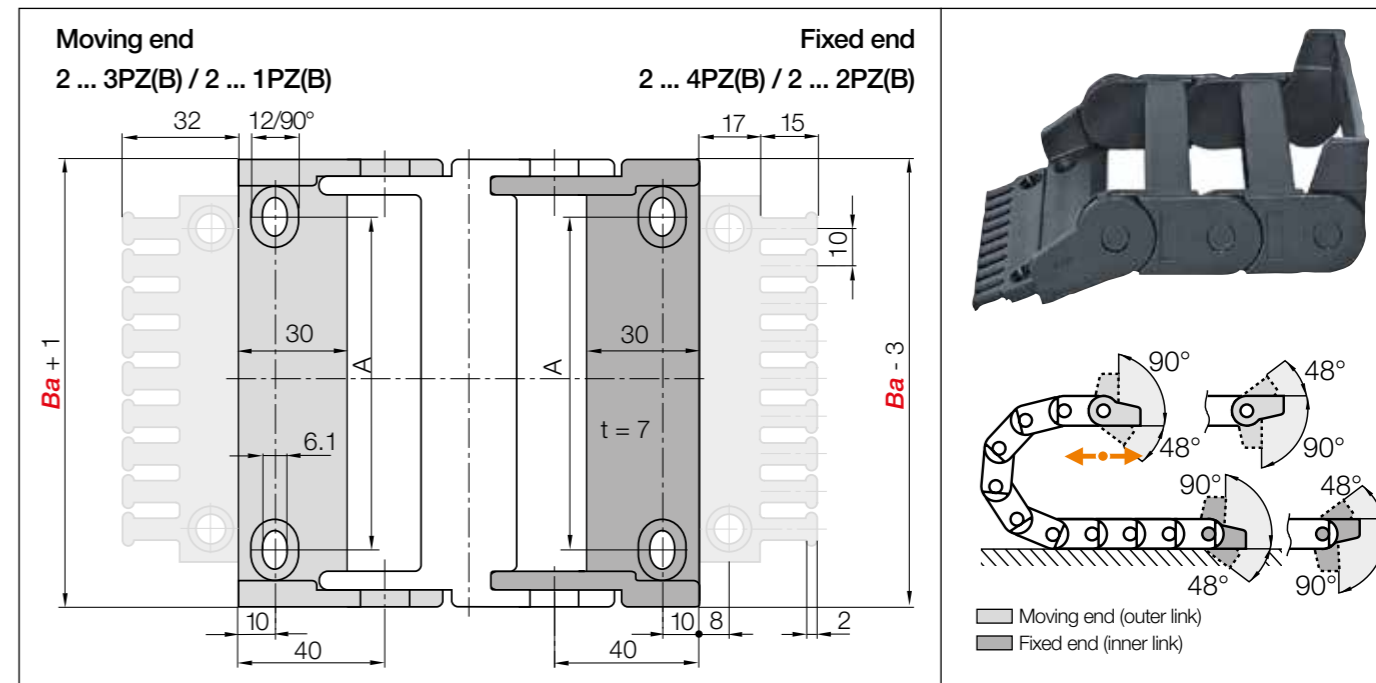
Complete Part No. with required radius (R). Example: E200.05.150.0

Installation dimensions



R	055	075	100	150	200
H+4	145	185	235	335	435
D	142	162	187	237	287
K	265	330	410	565	725

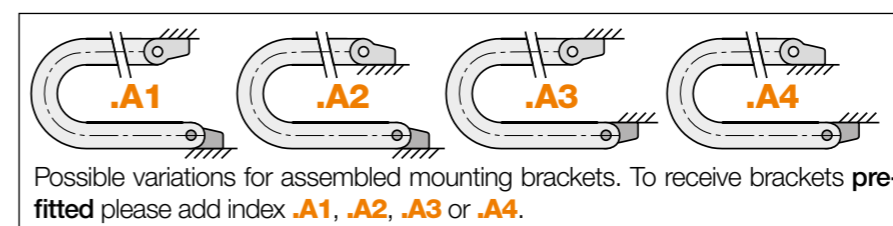
The required clearance height: $H_F = H + 40\text{mm}$ (with 2.0kg/m fill weight)



Width index	Part No. full set pivoting with tiewrap plates	Part No. full set pivoting without tiewrap plate	Part No. full set locking with tiewrap plates	Part No. full set locking without tiewrap plate	A [mm]	Number of teeth
05.	2050.34PZB	2050.34PZ	2050.12PZB	2050.12PZ	44	6
2/35.	2070.34PZB	2070.34PZ	2070.12PZB	2070.12PZ	64	8
2/50.	2100.34PZB	2100.34PZ	2100.12PZB	2100.12PZ	90	10

Material mounting bracket - igumid G, temperature: -40° up to +120°C, VDE 0304 IIC UL94-HB

Full set with tiewrap plate + 10 cable tiewraps, please add index K1. Example: 2050.34PZBK1



2050.34PZB.A1 Order example
.A... to indicate option with brackets pre-fitted
With integrated strain relief tiewrap plates
Full set
Series

Strain relief e.g. clamps, tiewrap plates, nuggets and clips are available from stock. The complete chainfix range with ordering options ▶ From page 1392