



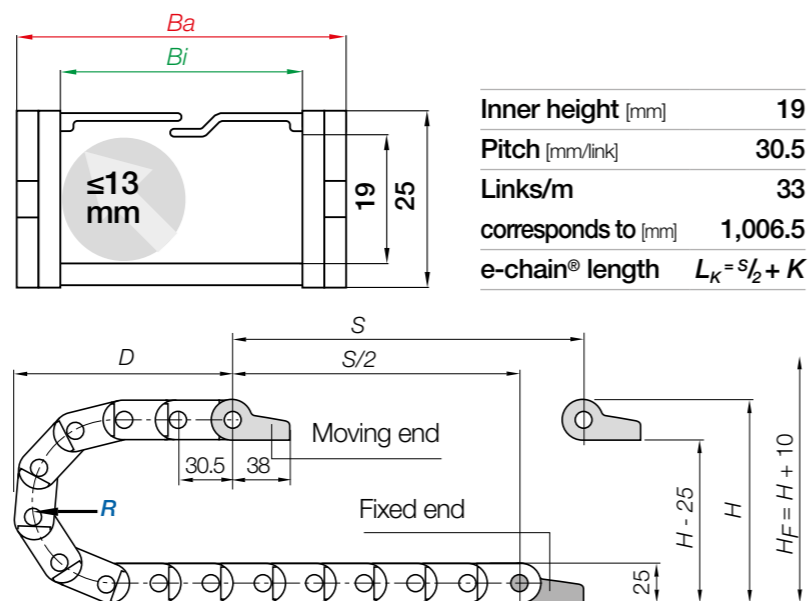
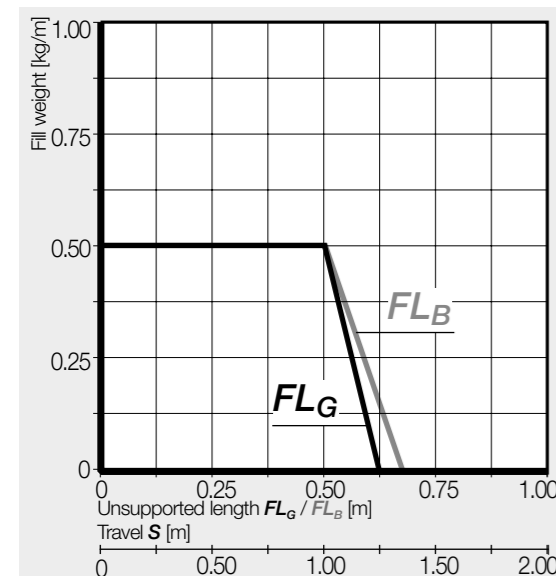
Version E | Series E14 | "easy" design, split crossbar along the outer radius
Version Z | Series Z14 | "easy" design, split crossbar along the inner radius

Part No. Version E	Part No. Version Z	Bi [mm]	Ba [mm]	R Available bend radii [mm]	Weight [kg/m]
E14.1.R.0	Z14.1.R.0	15	27	028 038 048 075 100 125	≈ 0.31
E14.2.R.0	Z14.2.R.0	25	37	028 038 048 075 100 125	≈ 0.32
E14.3.R.0	Z14.3.R.0	38	50	028 038 048 075 100 125	≈ 0.40
E14.4.R.0	Z14.4.R.0	50	62	028 038 048 075 100 125	≈ 0.44

Ⓞ RBR version (Reverse Bend Radius), some radii available from stock. More information ▶ From page 130

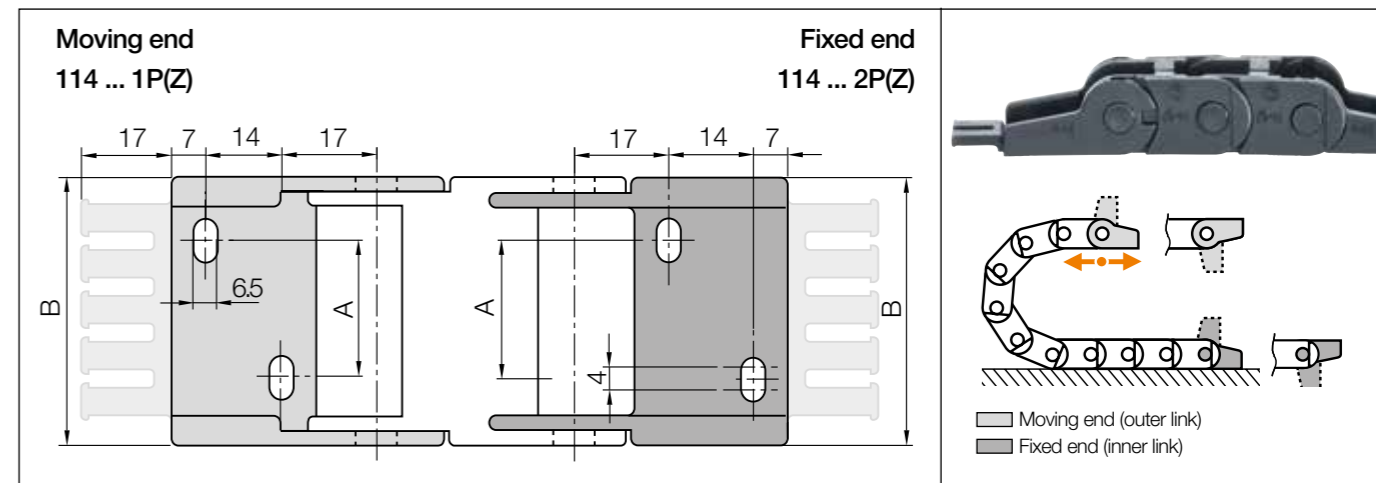
Complete Part No. with required radius (R). Example: E14.1.028.0

Installation dimensions



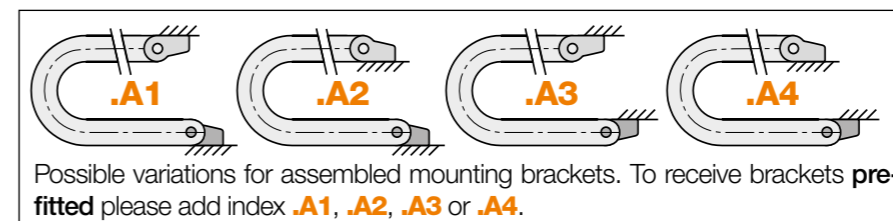
R	028	038	048	075	100	125
H	81	101	121	175	225	275
D	86	96	106	133	158	183
K	150	185	215	300	380	455

The required clearance height: $H_F = H + 10\text{mm}$ (with 0.2kg/m fill weight)



Width index	Part No. full set with tiewrap plates	Part No. full set without tiewrap plates	A [mm]	B [mm]	Number of teeth
1.	114.1.12PZ	114.1.12P	-	26.3	2
2.	114.2.12PZ	114.2.12P	10	36.3	3
3.	114.3.12PZ	114.3.12P	23	49.3	4
4.	114.4.12PZ	114.4.12P	35	61.3	5

Material mounting bracket - igumid G, temperature: -40° up to +120°C, VDE 0304 IIC UL94-HB



114.2.12PZ.A1 Order example
.A... to indicate option with brackets pre-fitted with integrated strain relief tiewrap plates
Full set
Series

Rotating energy supply systems with Reverse Bend Radius (RBR) - some radii available from stock

- Maximum rotation angle in minimal installation space
- Minimal friction forces and maximum service life
- Short delivery times, from stock

More information and the complete product range ▶ From page 130

