

Version E | Series E065 | "easy" design, split crossbar along the outer radius
Version Z | Series Z065 | "easy" design, split crossbar along the inner radius

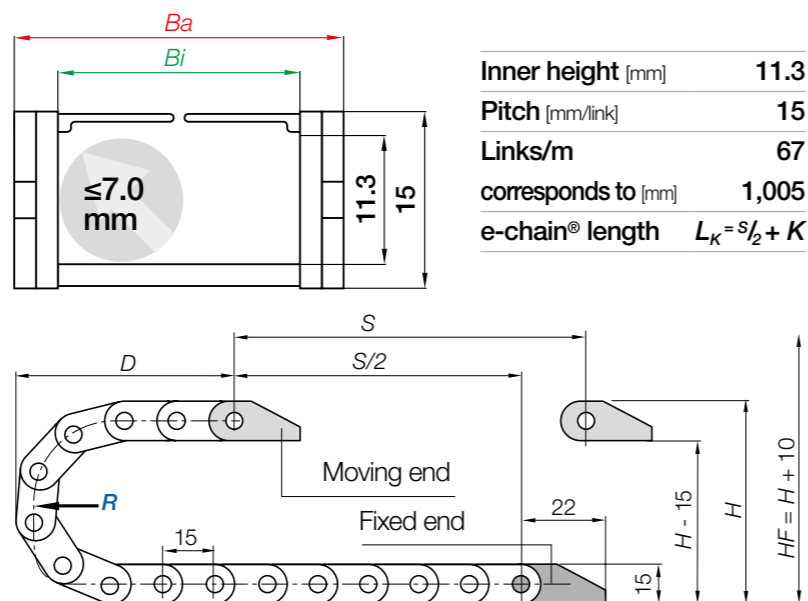
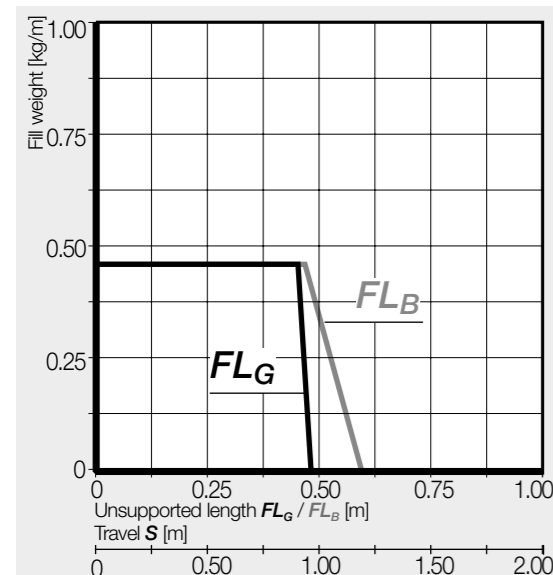
Chamber design	Part No. Version E	Part No. Version Z	Bi [mm]	Ba* [mm]	R [mm]	Weight [kg/m]
1-chamber	E065.16.R.0 ¹⁾	–	16	24.8	018 028 038	≈ 0.17
2-chamber	E065.2/9.R.0 ¹⁾	–	9/9	29.3	018 028 038	≈ 0.19
3-chamber	E065.3/9.R.0 ¹⁾	Z065.3/9.R.0 ¹⁾	9/9/9	39.3	018 028 038	≈ 0.22
4-chamber	E065.4/9.R.0 ¹⁾	–	9/9/9/9	49.3	018 028 038	≈ 0.25

1) Crossbars do not overlap. Gap = 2.5mm

Ba*: pin dimension approx. 1.0 - 1.6mm wider.

Complete Part No. with required radius (R). Example: E065.16.038.0

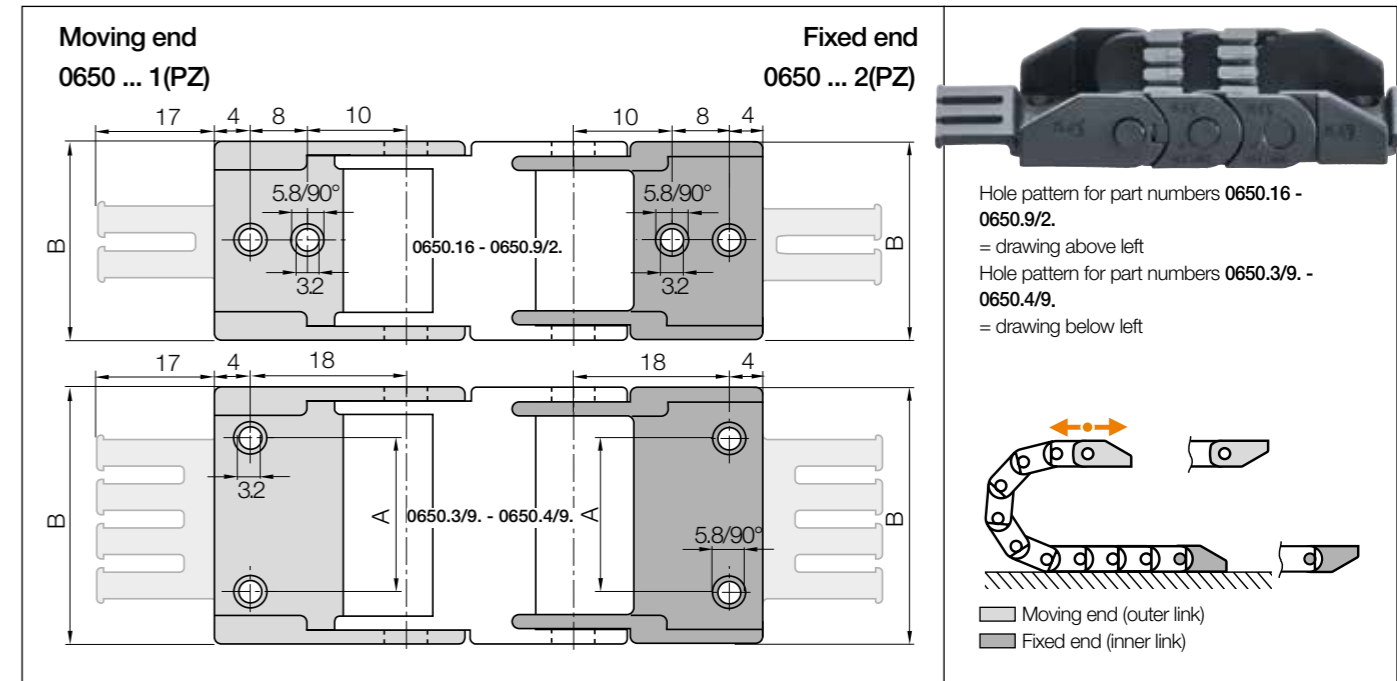
Installation dimensions



R	018	028	038
H	51	71	91
D	48	58	68
K	90	120	150

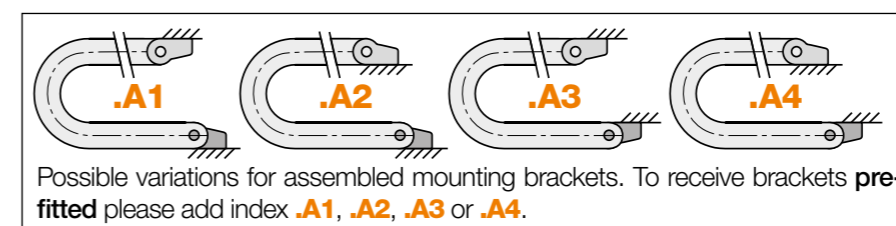
The required clearance height: $H_F = H + 10\text{mm}$ (with 0.2kg/m fill weight)

226 More information ► www.igus.eu/E065 ► www.igus.eu/Z065



Width index	Part No. full set with tiewrap plates	Part No. full set without tiewrap plates	A [mm]	B [mm]	Number of teeth
16.	0650.16.12PZ	0650.16.12	–	22.5	2
2/9.	0650.2/9.12PZ	0650.2/9.12	–	27	2
3/9.	0650.3/9.12PZ	0650.3/9.12	22	37	3
4/9.	0650.4/9.12PZ	0650.4/9.12	32	47	4

Material mounting bracket - igumid G, temperature: -40° up to +120°C, VDE 0304 IIC UL94-HB



0650.16.12PZ.A2 Order example
.A... to indicate option with brackets pre-fitted
With integrated strain relief tiewrap plates
Full set
Series