



Version E | Series E04 | "easy" design, split crossbar along the outer radius

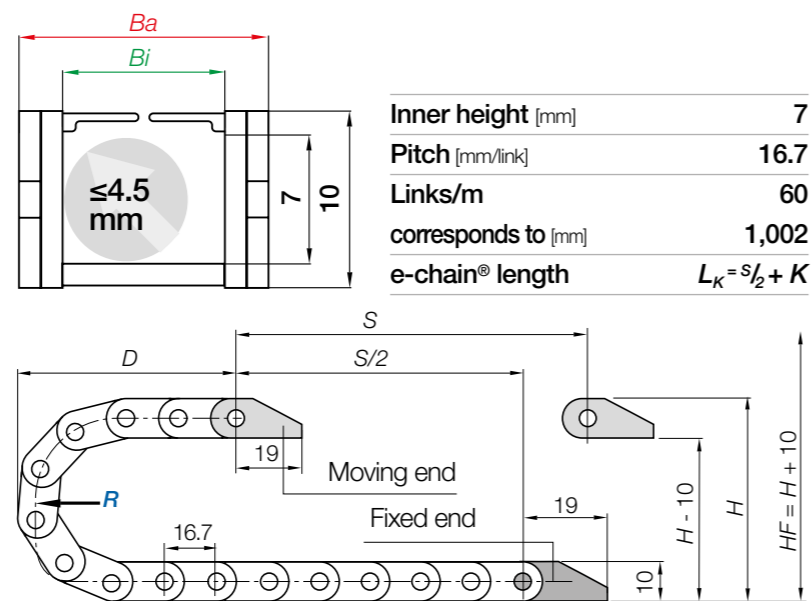
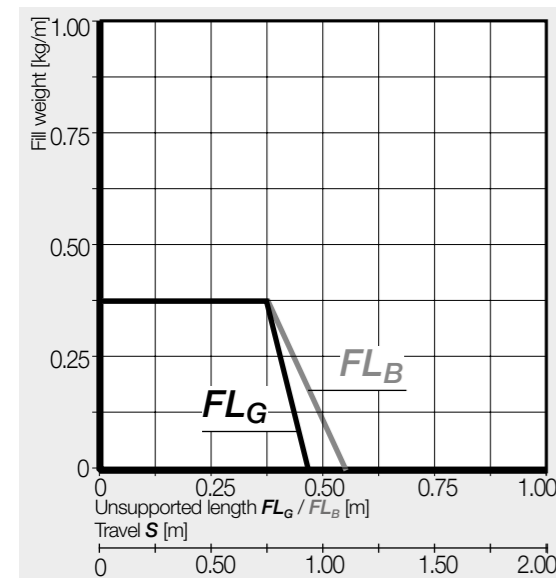
Part No.	Bi	Ba*	R Available bend radii	Weight
Version E	[mm]	[mm]	[mm]	[kg/m]
E04.07.R.0 ¹⁾	7	13	015 018 028 038 048	≈ 0.08

1) Crossbars do not overlap. Gap = 2.5mm Special solution with opening gap 0.8mm: Part No. E04.07.015.0.S

Ba*: pin dimension approx. 0.1 - 0.3mm wider.

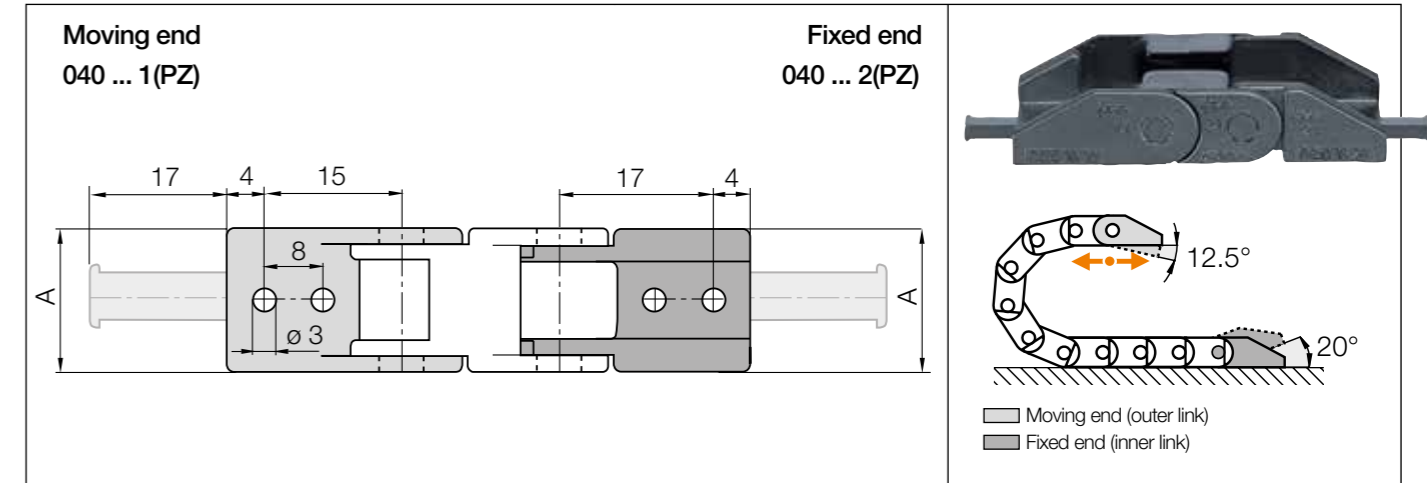
Complete Part No. with required radius (R). Example: E04.07.028.0

Installation dimensions



R	015	018	028	038	048
H	40	46	66	86	106
D	45	48	58	68	78
K	85	90	125	155	185

The required clearance height: $H_F = H + 10\text{mm}$ (with 0.1kg/m fill weight)



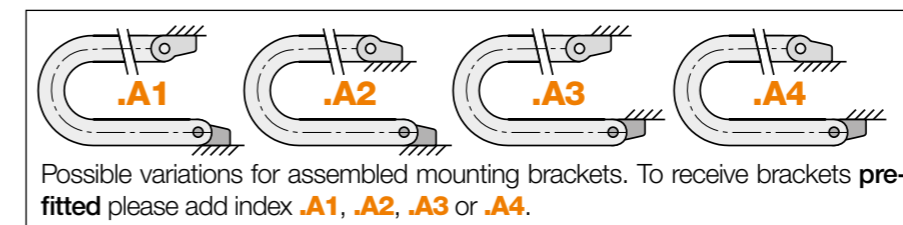
Width index	Part No. full set with tiewrap plates*	Part No. full set without tiewrap plates	A [mm]	Number of teeth
.07. ►	040.07.12PZ	040.07.12	12	1

*040.07.12PZ only installation versions A2 and A4

Material mounting bracket - igumid G, temperature: -40° up to +120°C, VDE 0304 IIC UL94-HB

Mounting bracket with strain relief tiewrap plate has reductions of ø 3mm

Mounting bracket without strain relief tiewrap plate only has holes of ø 3mm



040.07.12PZ.A2 Order example
 .A... to indicate option with brackets pre-fitted
 With integrated strain relief tiewrap plates
 Full set
 Series