



Version E | Series E045 | "easy" design, split crossbar along the outer radius
Version Z | Series Z045 | "easy" design, split crossbar along the inner radius

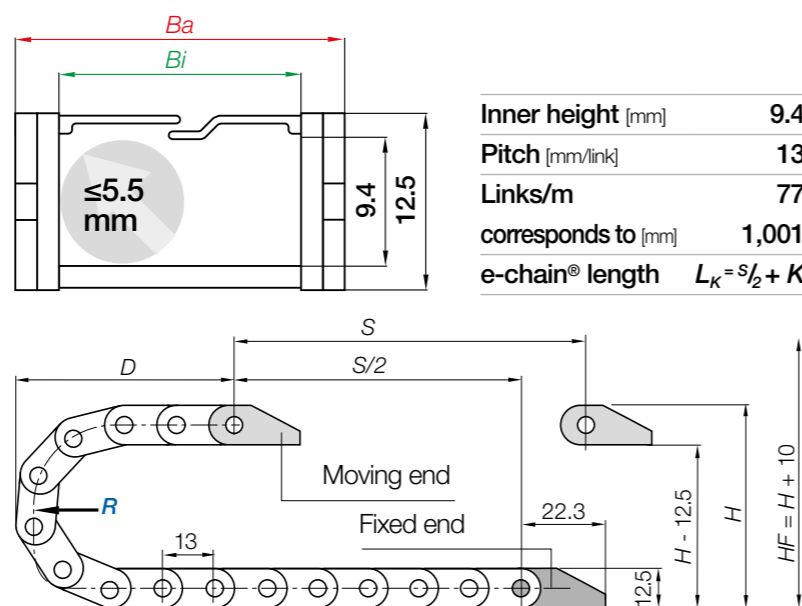
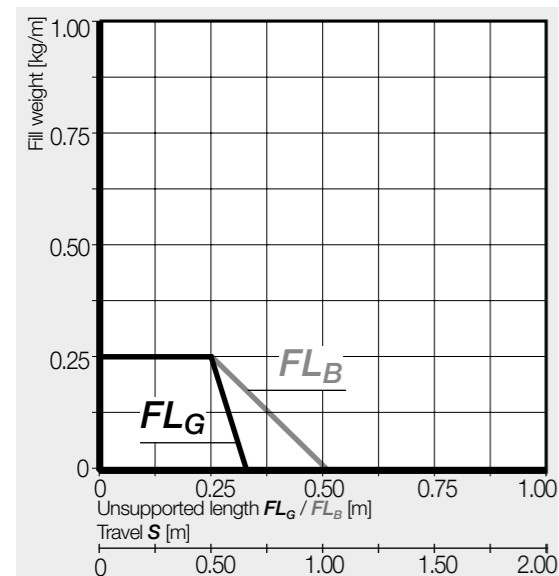
| Chamber design | Part No. Version E | Part No. Version Z | Bi [mm] | Ba* [mm] | R Available bend radii [mm] | Weight [kg/m] |
|----------------|----------------------------|----------------------------|---------|----------|-----------------------------|---------------|
| 1-chamber | E045.10.R.0 ¹⁾ | – | 10 | 16 | 018 028 038 | ≈ 0.09 |
| | E045.16.R.0 | Z045.16.R.0 | 16 | 23 | 018 028 038 | ≈ 0.11 |
| 2-chamber | E045.2/7.R.0 ²⁾ | Z045.2/7.R.0 ²⁾ | 7/7 | 23 | 018 028 038 | ≈ 0.13 |
| | E045.2/9.R.0 ²⁾ | – | 9/9 | 27 | 018 028 038 | ≈ 0.14 |
| 3-chamber | E045.3/9.R.0 ³⁾ | – | 9/9/9 | 37 | 018 028 038 | ≈ 0.17 |

1) Crossbars do not overlap. Gap = 2mm
 2) Crossbars do not overlap. Gap = 2.25mm
 3) Crossbars do not overlap. Gap = 2.25mm

Ba*: pin dimension approx. 0.5mm - 1.0mm wider.

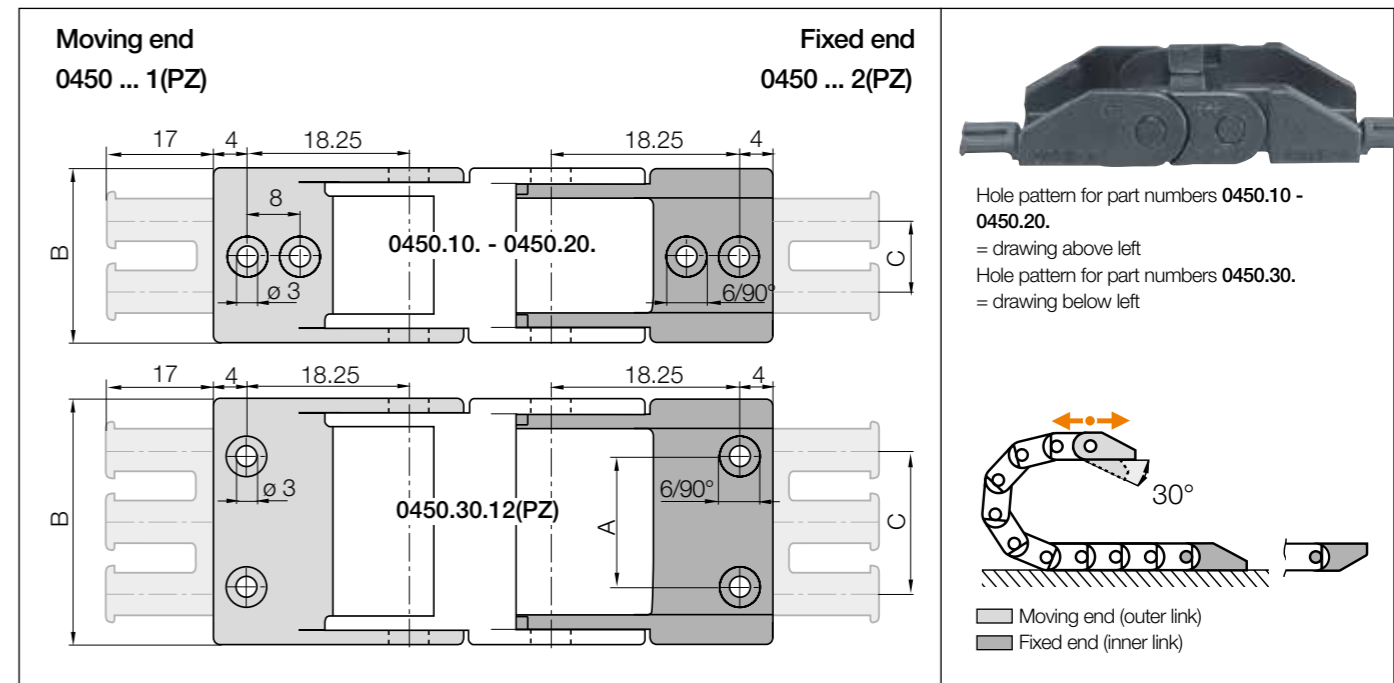
Complete Part No. with required radius (R). Example: E045.16.038.0

Installation dimensions



| R | 018 | 028 | 038 |
|---|------|------|------|
| H | 48.5 | 68.5 | 88.5 |
| D | 44 | 54 | 64 |
| K | 85 | 115 | 150 |

The required clearance height: $H_F = H + 10\text{mm}$ (with 0.1kg/m fill weight)

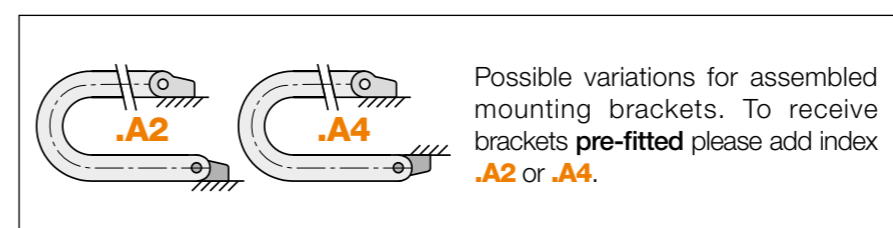


| Width index | Part No. full set with tiewrap plates | Part No. full set without tiewrap plates | A [mm] | B [mm] | C [mm] | Number of teeth |
|-------------|---------------------------------------|--|--------|--------|--------|-----------------|
| 10. | 0450.10.12PZ | 0450.10.12 | – | 16 | – | 1 |
| 16. | 0450.16.12PZ | 0450.16.12 | – | 22 | 10 | 2 |
| 2/7. | 0450.16.12PZ | 0450.16.12 | – | 22 | 10 | 2 |
| 2/9. | 0450.20.12PZ | 0450.20.12 | – | 26 | 10 | 2 |
| 3/9. | 0450.30.12PZ | 0450.30.12 | 22 | 36 | 20 | 3 |

Material mounting bracket - igumid G, temperature: -40° up to +120°C, VDE 0304 IIC UL94-HB

Mounting bracket with strain relief tiewrap plate has reductions of ø 3mm / ø 6mm 90°

Mounting bracket without strain relief tiewrap plate only has holes of ø 3mm



0450.10.12PZ.A2 Order example
 .A... to indicate option with brackets pre-fitted
 With integrated strain relief tiewrap plates
 Full set
 Series