



Multiple solid stream nozzles for air or saturated steam Series 540 / 541

Series 540 / 541

The multiple solid stream nozzles of the 540/541 allow delivery of gases and other media at an angle of approx. 240° through 40 individual holes. Thanks to their robust design, these nozzles can be used under difficult conditions, including being immersed in liquid media.



Material
Stainless steel
303 SS



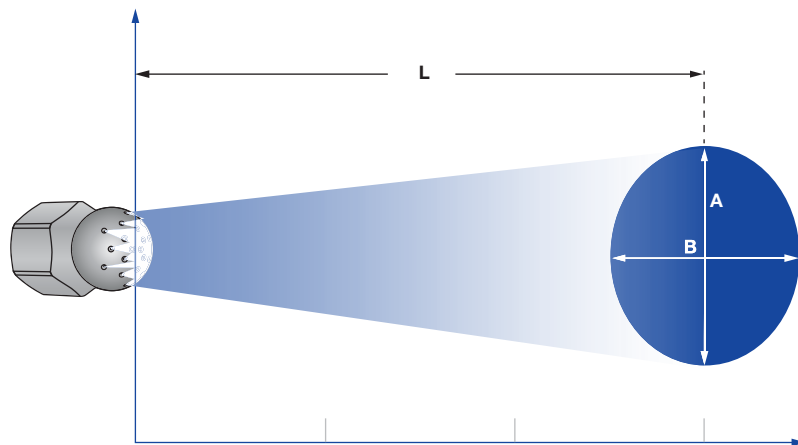
Air consumption
see table



Pressure
 $p_{max} = 10 \text{ bar}$

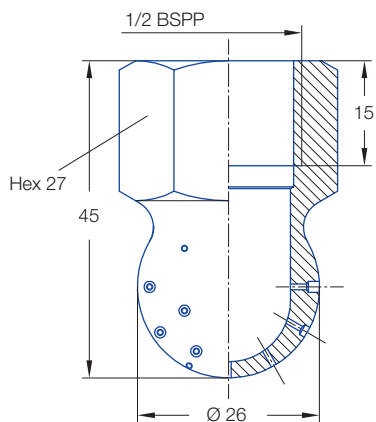



Max. temperature
200 °C



Jet pattern of 540 / 541 nozzle series

Pressure:		1 bar	3 bar	5 bar
540.909	Distance L [mm]:	375	725	850
	A [mm]:	80	160	170
	B [mm]:	80	160	170
541.109	Distance L [mm]:	800	800	800
	A [mm]:	195	290	325
	B [mm]:	195	290	325
541.239	Distance L [mm]:	800	800	800
	A [mm]:	220	225	260
	B [mm]:	220	225	260



Spray angle 	Ordering no.		B Ø [mm]	\dot{V}_n Air [m³/h]				\dot{M} Saturated steam [kg/h]			
	Type	Mat. no.		p [bar]				p [bar]			
		16		1	2	3	5	1	2	3	5
approx. 240°	540.909	○	0.8	22.80	34.20	45.50	68.30	18.10	26.90	35.50	52.70
	540.989	○	1.0	35.50	53.30	71.00	106.50	28.20	41.70	55.10	81.70
	541.109	○	1.5	83.30	124.90	166.50	249.80	66.00	97.70	129.20	191.60
	541.189	○	2.0	129.70	194.50	259.30	389.00	103.00	152.60	201.70	299.10
	541.239	○	2.3	167.20	250.80	334.30	501.50	133.20	197.30	260.80	386.60

B = bore diameter

Example of ordering:	Type	+	Mat. no.	=	Ordering no.
	540.909	+	16	=	544.360.16.CA