

Openable along the inner radius, enclosed outer radius

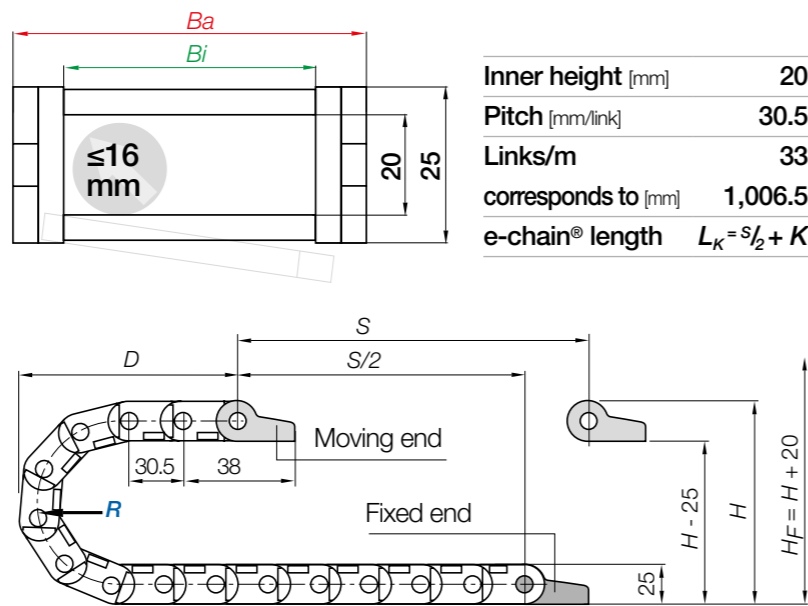
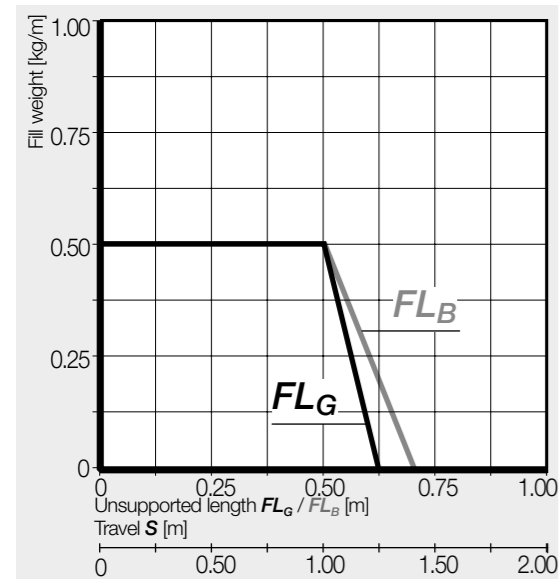


e-chains® | Series 14 | Openable along the inner radius from one side with film hinge

| Part No. e-chains® | <i>Bi</i> | <i>Ba</i> | <i>R</i> Available bend radii | | | | | | | Weight [kg/m] |
|-----------------------|-----------|-----------|-------------------------------|------|------|------|------|------|--------|------------------|
| | [mm] | [mm] | [mm] | [mm] | [mm] | [mm] | [mm] | [mm] | | |
| 14.1.R.0 | 15 | 26 | 028 | 038 | 048 | 075 | 100 | 125 | ≈ 0.31 | |
| 14.2.R.0 | 25 | 36 | 028 | 038 | 048 | 075 | 100 | 125 | ≈ 0.32 | |
| 14.3.R.0 | 38 | 49 | 028 | 038 | 048 | 075 | 100 | 125 | ≈ 0.40 | |
| 14.4.R.0 | 50 | 61 | 028 | 038 | 048 | 075 | 100 | 125 | ≈ 0.41 | |

Complete Part No. with required radius (*R*). Example: 14.2.038.0

Installation dimensions

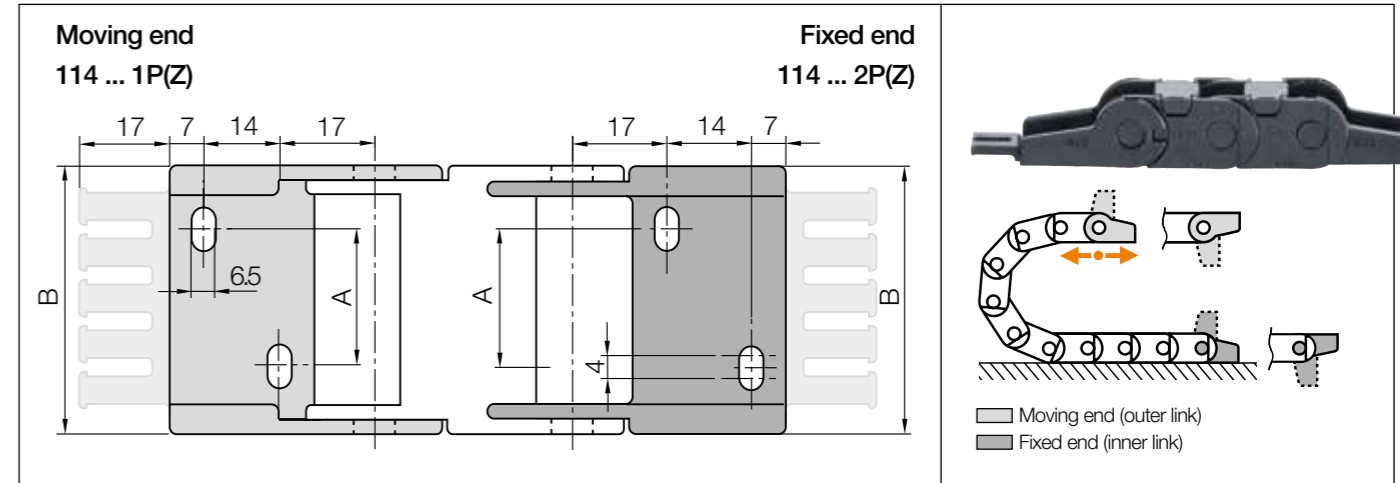


Inner height [mm] 20
 Pitch [mm/link] 30.5
 Links/m 33
 corresponds to [mm] 1,006.5
 e-chain® length $L_k = \frac{S}{2} + K$

| <i>R</i> | 028 | 038 | 048 | 075 | 100 | 125 |
|----------|-----|-----|-----|-----|-----|-----|
| <i>H</i> | 81 | 101 | 121 | 175 | 225 | 275 |
| <i>D</i> | 86 | 96 | 106 | 133 | 158 | 183 |
| <i>K</i> | 150 | 185 | 215 | 300 | 380 | 455 |

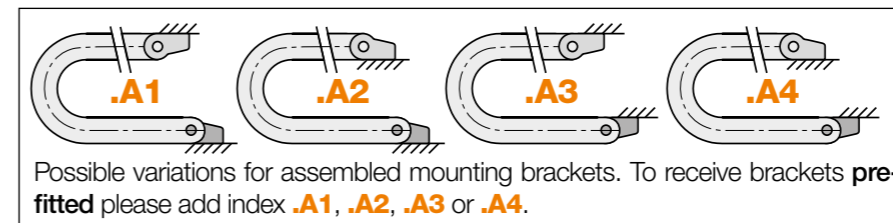
The required clearance height: $H_F = H + 20\text{mm}$ (with 0.5kg/m fill weight)

Mounting brackets, polymer one-piece | Locking



| Width index | Part No. full set with tiewrap plates | Part No. full set without tiewrap plates | <i>A</i> [mm] | <i>B</i> [mm] | Number of teeth |
|-------------|---------------------------------------|--|---------------|---------------|-----------------|
| | | | | | |
| 1. ► | 114.1.12PZ | 114.1.12P | - | 26.3 | 2 |
| 2. ► | 114.2.12PZ | 114.2.12P | 10 | 36.3 | 3 |
| 3. ► | 114.3.12PZ | 114.3.12P | 23 | 49.3 | 4 |
| 4. ► | 114.4.12PZ | 114.4.12P | 35 | 61.3 | 5 |

Material mounting bracket - igumid G, temperature: -40° up to +120°C, VDE 0304 IIC UL94-HB



114.2.12PZ.A1 Order example
 .A... to indicate option with brackets pre-fitted
 With integrated strain relief tiewrap plates
 Full set
 Series