

Large inner height, asymmetric design

23

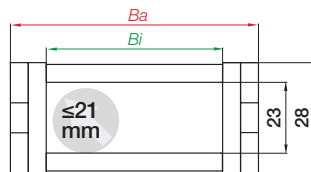
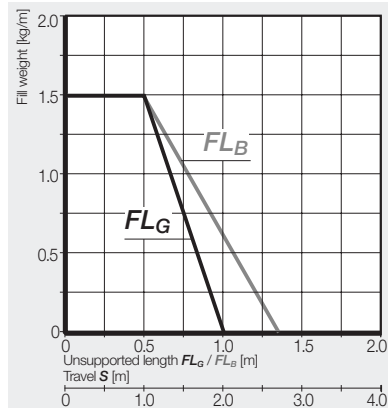


e-chains® | Series 11.031 | One-piece, non-openable

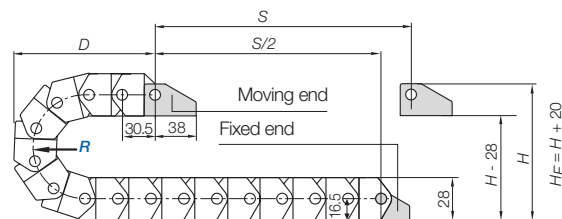
Part No.	<i>Bi</i> [mm]	<i>Ba</i> [mm]	<i>R</i> Available bend radii [mm]	Weight [kg/m]
11.031.R.0	31	41.2	045 070	≈ 0.43

Complete Part No. with required radius (*R*). Example: 11.031.045.0

Installation dimensions



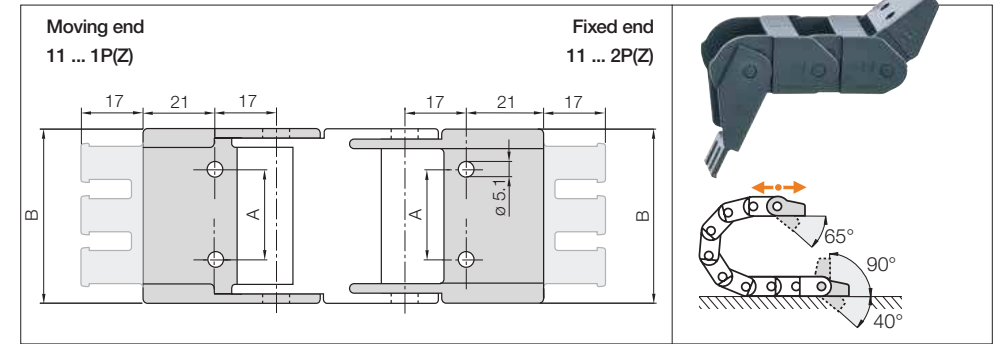
Inner height [mm]	23
Pitch [mm/link]	30.5
Links/m	33
corresponds to [mm]	1,006.5
e-chain® length $L_K = S/2 + K$	



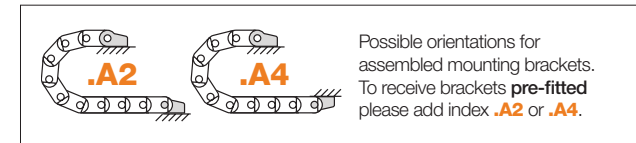
<i>R</i>	045	070
<i>H</i>	123	173
<i>D</i>	107	132
<i>K</i>	205	285

The required clearance height: $H_F = H + 20\text{mm}$ (with 0.5kg/m fill weight)

Mounting brackets, polymer one-piece | Pivoting



Width index	Part No. full set with tiewrap plates	Part No. full set without tiewrap plates	A [mm]	B [mm]	Number of teeth
031. ▶	11.031.12PZ	11.031.12P	16	42	3



Possible orientations for assembled mounting brackets.
To receive brackets pre-fitted please add index **.A2** or **.A4**.

11.031.12PZ.A2	Order example
	.A... to indicate option with brackets pre-fitted
	With integrated strain relief tiewrap plates
	Full set
	Series