

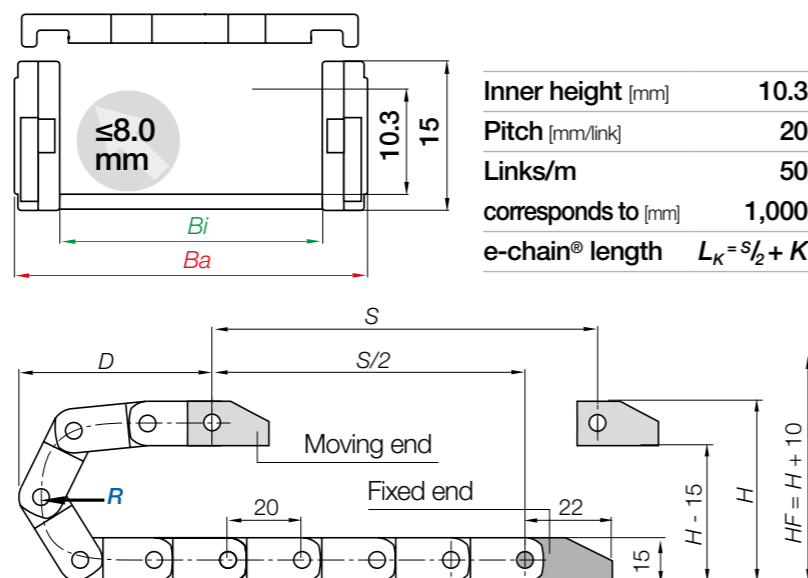
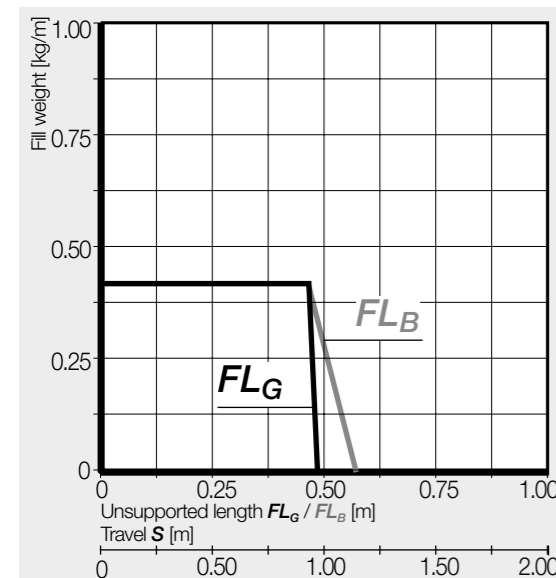
e-chains® | Series 07 | Crossbars on a strip - zip-open along the outer radius

Part No.	Bi	Ba	R Available bend radii				Weight
e-chains®	[mm]	[mm]	[mm]	[mm]	[mm]		[kg/m]
07.06.R.0	06	12.5	018	028	038	-	≈ 0.13
07.10.R.0▲	10	16.5	018	028	038	-	≈ 0.14
07.16.R.0▲	16	22.5	018	028	038	-	≈ 0.16
07.20.R.0▲	20	27	018	028	038	-	≈ 0.17
07.30.R.0▲	30	37	018	028	038	-	≈ 0.20
07.40.R.0▲	40	47	018	028	038	-	≈ 0.23
07.50.R.0▲	50	57	018	028	038	-	≈ 0.26
07.64.R.0	64	71	018	028	038	048	≈ 0.30

▲ ESD version (Electro Static Discharge) available from stock. More information ▶ From page 142

Complete Part No. with required radius (R). Example: 07.40.038.0

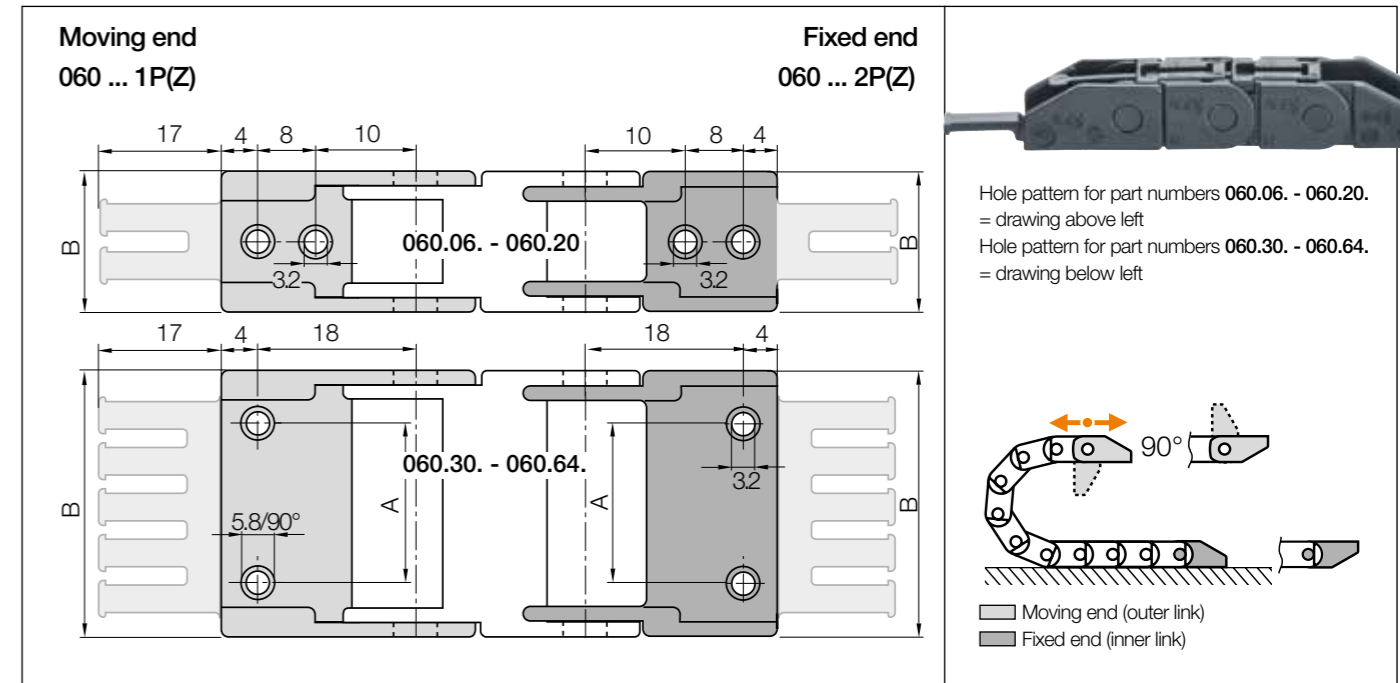
Installation dimensions



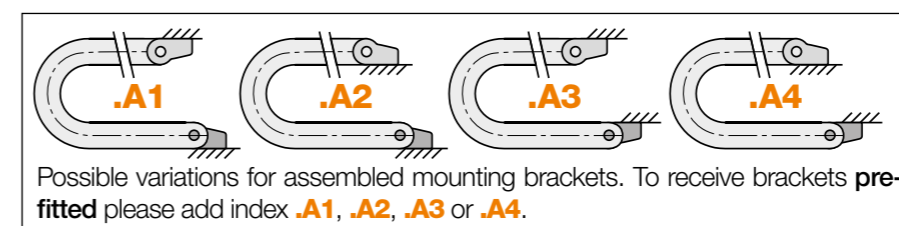
R	018	028	038	048*
H	51	71	91	111
D	56	66	76	86
K	100	130	160	195

The required clearance height: $H_F = H + 10\text{mm}$ (with 0.2kg/m fill weight)

*Radius 048 only for series 07.64



Width index	Part No. full set with tiewrap plates	Part No. full set without tiewrap plates	A [mm]	B [mm]	Number of teeth
06.	060.06.12PZ	060.06.12	-	12.5	1
10.	060.10.12PZ	060.10.12	-	16.5	1
16.	060.16.12PZ	060.16.12	-	22.5	2
20.	060.20.12PZ	060.20.12	-	27.0	2
30.	060.30.12PZ	060.30.12	22	37.0	3
40.	060.40.12PZ	060.40.12	32	47.0	4
50.	060.50.12PZ	060.50.12	42	57.0	5
64.	060.64.12PZ	060.64.12	56	71.0	6



060.40.12PZ.A1 Order example
 .A... to indicate option with brackets pre-fitted
 With integrated strain relief tiewrap plates
 Full set
 Series

ESD - many sizes from stock

- Standardised product made from igamid ESD
- ESD material tested for over 10 million cycles for the toughest requirements
- Short delivery times including mounting brackets and interior separation; 24hrs, from stock

More information and the complete product range

▶ From page 142 or at ▶ www.igus.eu/esd

