

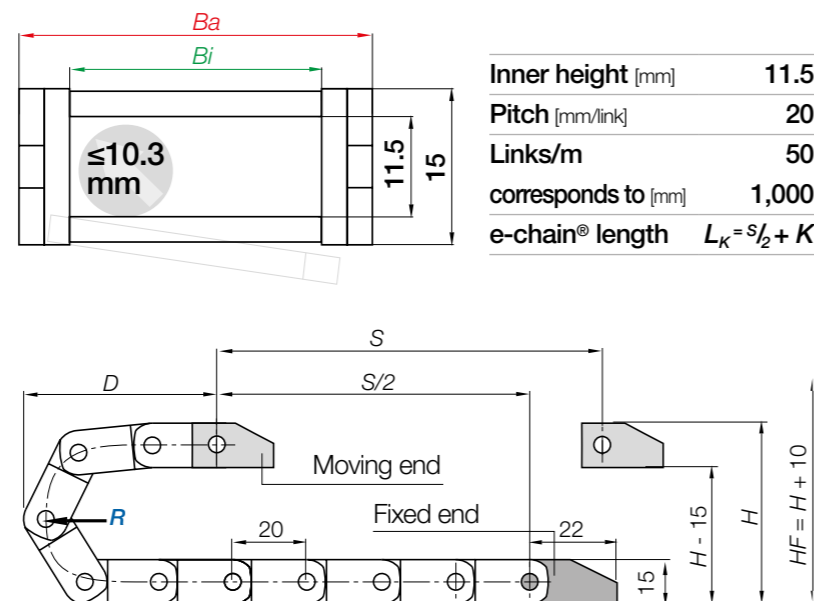
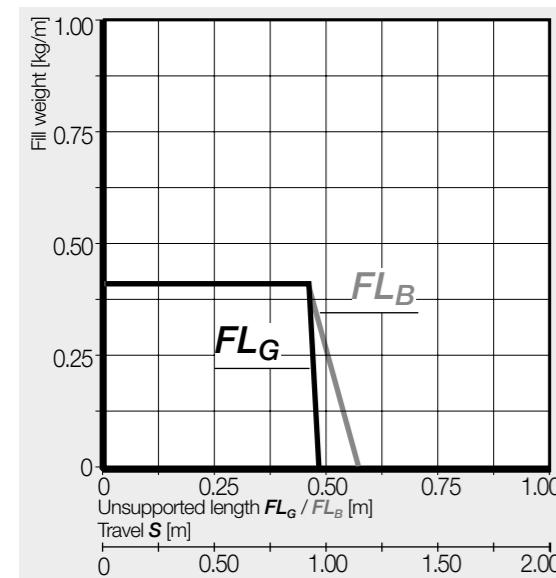


e-chains® | Series 074 | Openable along the inner radius from one side with film hinge

Part No.	Bi	Ba	R Available bend radii	Weight
e-chains®	[mm]	[mm]	[mm]	[kg/m]
074.06.R.0	06	12.3	018 028 038	≈ 0.14
074.10.R.0	10	16.3	018 028 038	≈ 0.15
074.16.R.0	16	22.3	018 028 038	≈ 0.16
074.20.R.0	20	26.3	018 028 038	≈ 0.17

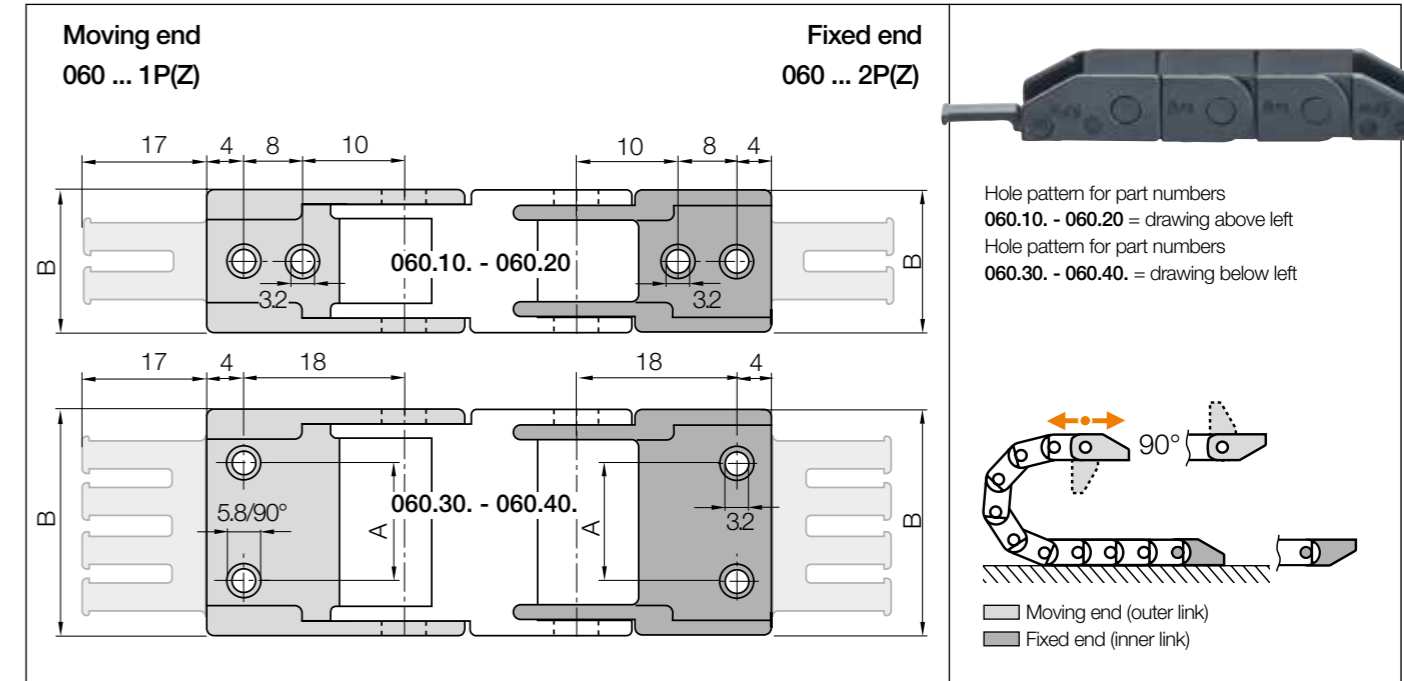
Complete Part No. with required radius (R). Example: 074.10.018.0

Installation dimensions



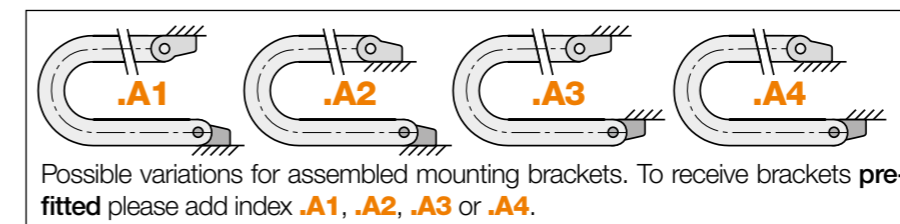
R	018	028	038
H	51	71	91
D	56	66	76
K	100	130	160

The required clearance height: $H_F = H + 10\text{mm}$ (with 0.2kg/m fill weight)



Width index	Part No. full set with tiewrap plates	Part No. full set without tiewrap plates	A [mm]	B [mm]	Number of teeth
06.	060.06.12PZ	060.06.12	-	12.5	1
10.	060.10.12PZ	060.10.12	-	16.5	1
16.	060.16.12PZ	060.16.12	-	22.5	2
20.	060.20.12PZ	060.20.12	-	27	2

Material mounting bracket - igumid G, temperature: -40° up to +120°C, VDE 0304 IIC UL94-HB



060.10.12PZ.A1 Order example
 .A... to indicate option with brackets pre-fitted
 With integrated strain relief tiewrap plates
 Full set
 Series