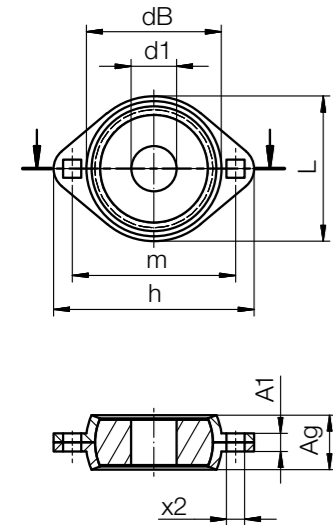


Fixed flange bearings with cost-effective metallic housing: PFL-JEM-SP



- Cost-effective spherical ball material iglidur® J4 available (order example: PFL204-J4EM-20-14-SP)
- Lubrication and maintenance-free
- Cost-effective
- Resistant to dirt



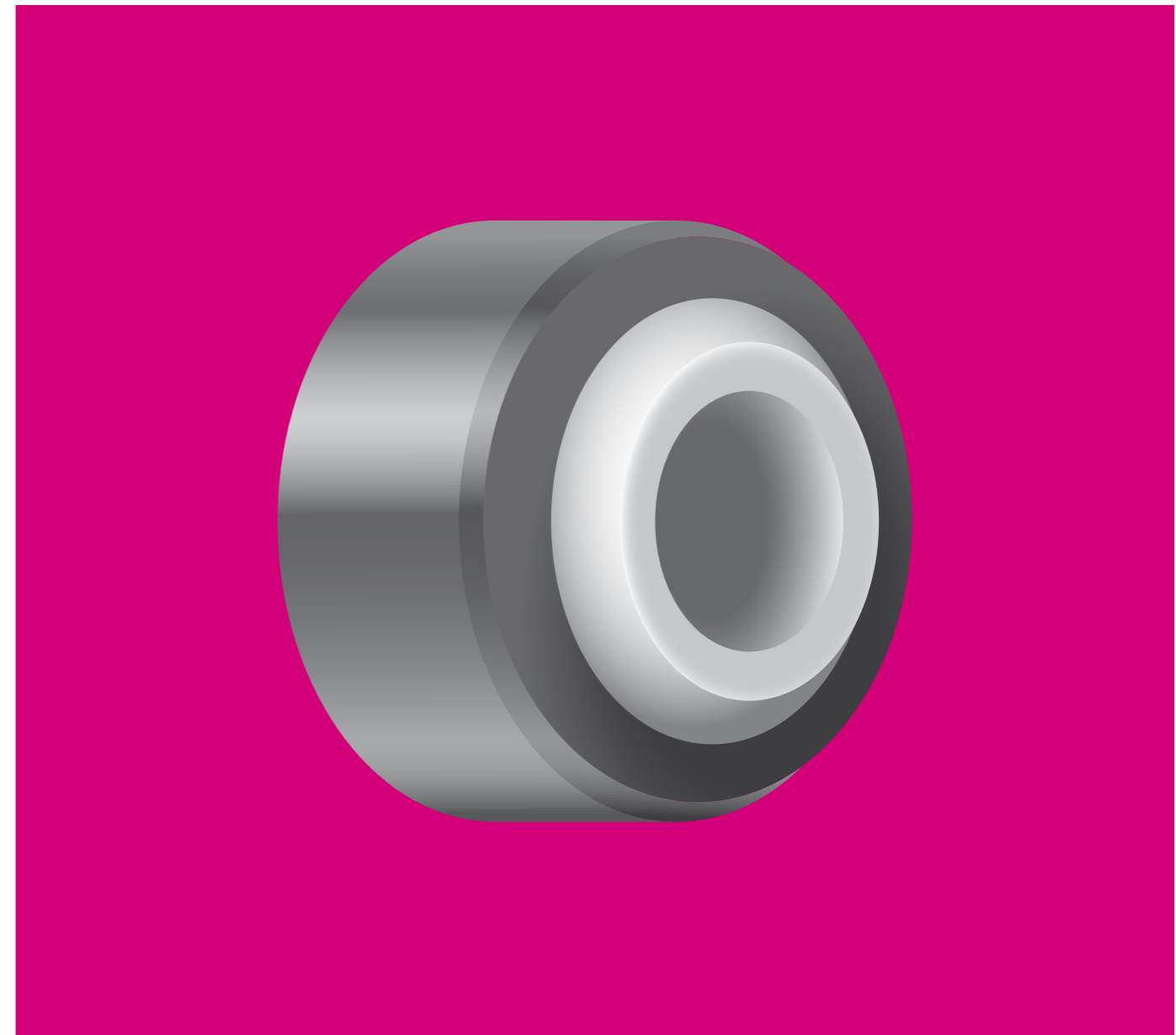
**Order key**

Type	Size [mm]	Version
------	-----------	---------

**PFL204- J E M- 20 - 14 - SP**

Fixed flange bearing	Spherical ball material	Series	Metric	Spherical ball inner Ø	Spherical ball width	Injection moulding
----------------------	-------------------------	--------	--------	------------------------	----------------------	--------------------

- i** **Material:**  
**Housing:** Galvanised steel  
 (stainless steel upon request)  
**Spherical ball:** iglidur® J  
 (alternative iglidur® J4)



## igubal® spherical bearings

Easy to fit

Cost-effective

Resistance to chemicals

Lightweight

Robust



**Technical data**

Part No.	Max. permissible axial load		Max. permissible radial load		Weight [g]
	Short-term	Long-term	Short-term	Long-term	
	[N]	[N]	[N]	[N]	
PFL204-JEM-20-14-SP <b>New</b>	2,000	1,000	4,000	2,000	121.0
PFL205-JEM-25-15-SP <b>New</b>	2,000	1,000	5,000	2,500	144.0
PFL206-JEM-30-16-SP <b>New</b>	2,000	1,000	7,000	3,500	216.0

**Dimensions [mm]**

Part No.	d1	h	L	m	a1	Ag	x2
	E10				+0.1		
PFL204-JEM-20-14-SP <b>New</b>	20	90	67	71.5	M6	16	9
PFL205-JEM-25-15-SP <b>New</b>	25	95	71	76.0	M8	18	9
PFL206-JEM-30-16-SP <b>New</b>	30	113	82	90.5	M8	19	11

Can be combined with SRM fixing collars, page 858